

Front Loading Pass-Through Autoclaves

Priorclave Pass-Through autoclaves, also known as double ended sterilisers, enable sealed laboratory environments to be maintained, door interlocks preventing potential for laboratory standards to be compromised.

Every double-ended autoclave provides a sterile path in and out of sealed laboratories.

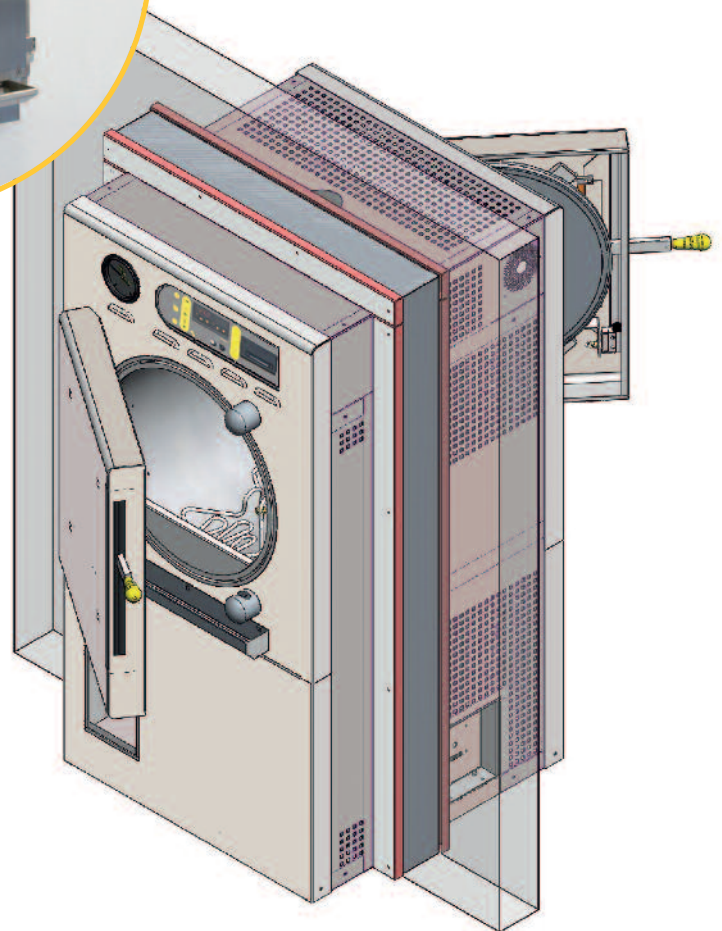
Each double-ended Priorclave is customer built at the company's UK manufacturing plant and is available in a range of chamber capacities and styles.

Contact Priorclave to discuss your unique requirements.



Key Features

- Front loading Round and Rectangular chambers.
- Chamber capacities from 150 litres.
- Doors interlock to prevent opening both sides.
- TACTROL® microprocessor control system.
- Control panel both sides.
- Operation up to 140°C - 2.5bar.
- Forced air cooling helps reduce cycle times.
- Automatic timed freesteaming improves air removal and sterilising performance.
- Delayed start and media warming function.
- Epoxy coated panels and frame members are treated with an anti-bacterial agent which is effective against all bacteria and fungi including MRSA.
- Pressure vessel carries a 10 year warranty and is insurance approved.
- Service and support direct from manufacturer (or appointed distributor).



All pass-through autoclaves comply and conform to relevant international standards including BS2464-1993, PD5500:2000 Cat.3 European PED 97/23/EC, EMC compliance tested and CE marked for BS EN 61010-2-41.

Priorclave Limited
129-131 Nathan Way, West Thamesmead Business Park
London, SE28 0AB
T: +44 (0)20 8316 6620 F: +44 (0) 20 8855 0616
E: sales@priorclave.co.uk

www.priorclave.co.uk

*The information in this datasheet is compiled in good faith. Our policy is one of continual development, we therefore reserve the right to alter the specification without prior notice.
E & OE March 2014*