

# EH100 OUTSIDE DIMENSIONS

## TOP SHELF DIMENSIONS

19.1" W x 21.1" D  
with 9.5" clearance

36.6"  
930mm

28.9"  
735mm

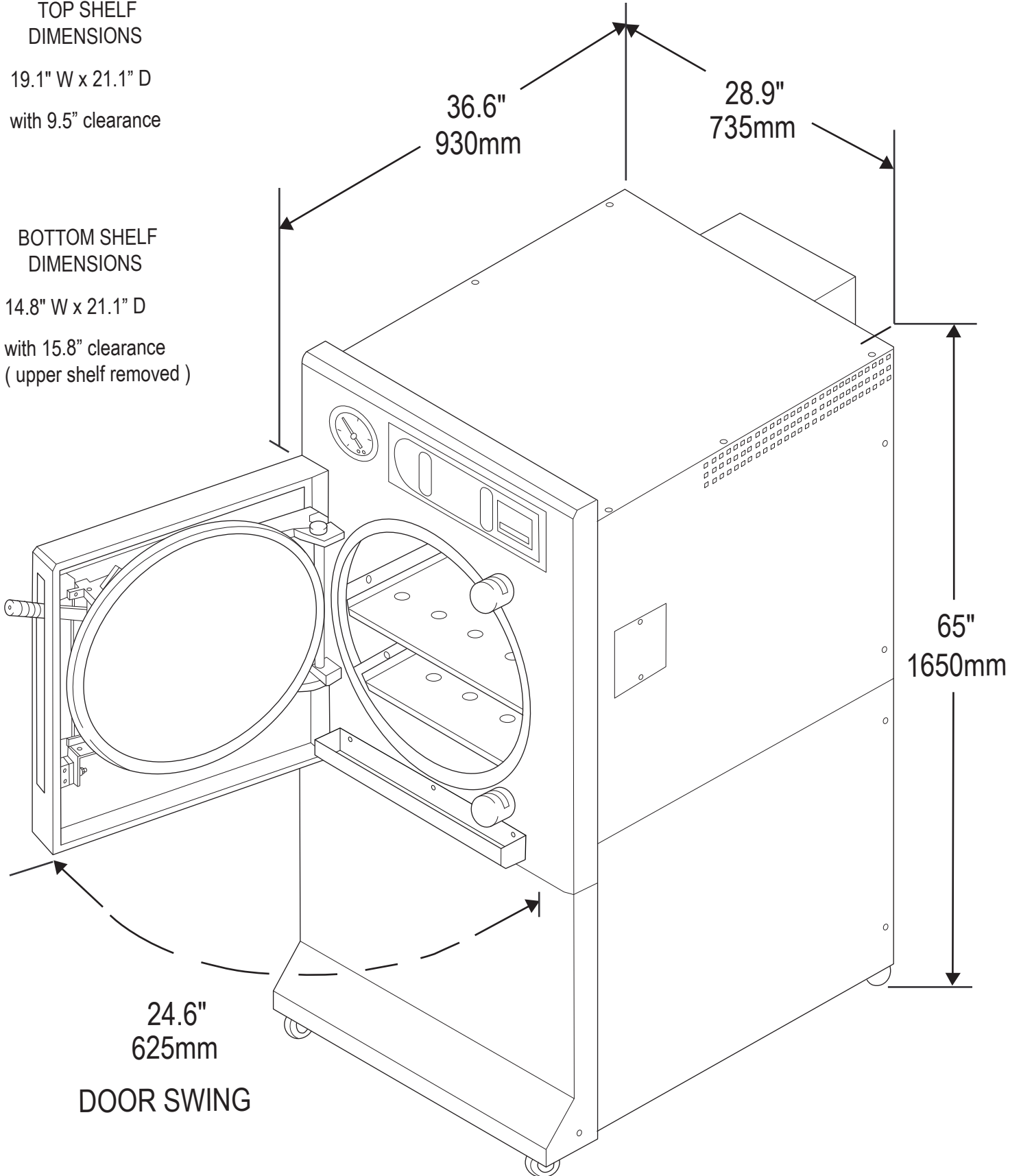
## BOTTOM SHELF DIMENSIONS

14.8" W x 21.1" D  
with 15.8" clearance  
( upper shelf removed )

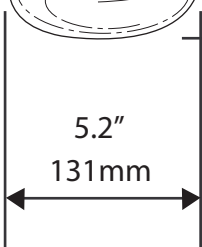
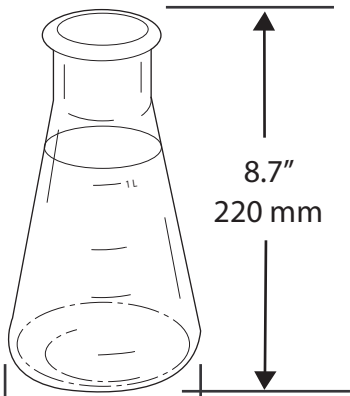
65"  
1650mm

24.6"  
625mm

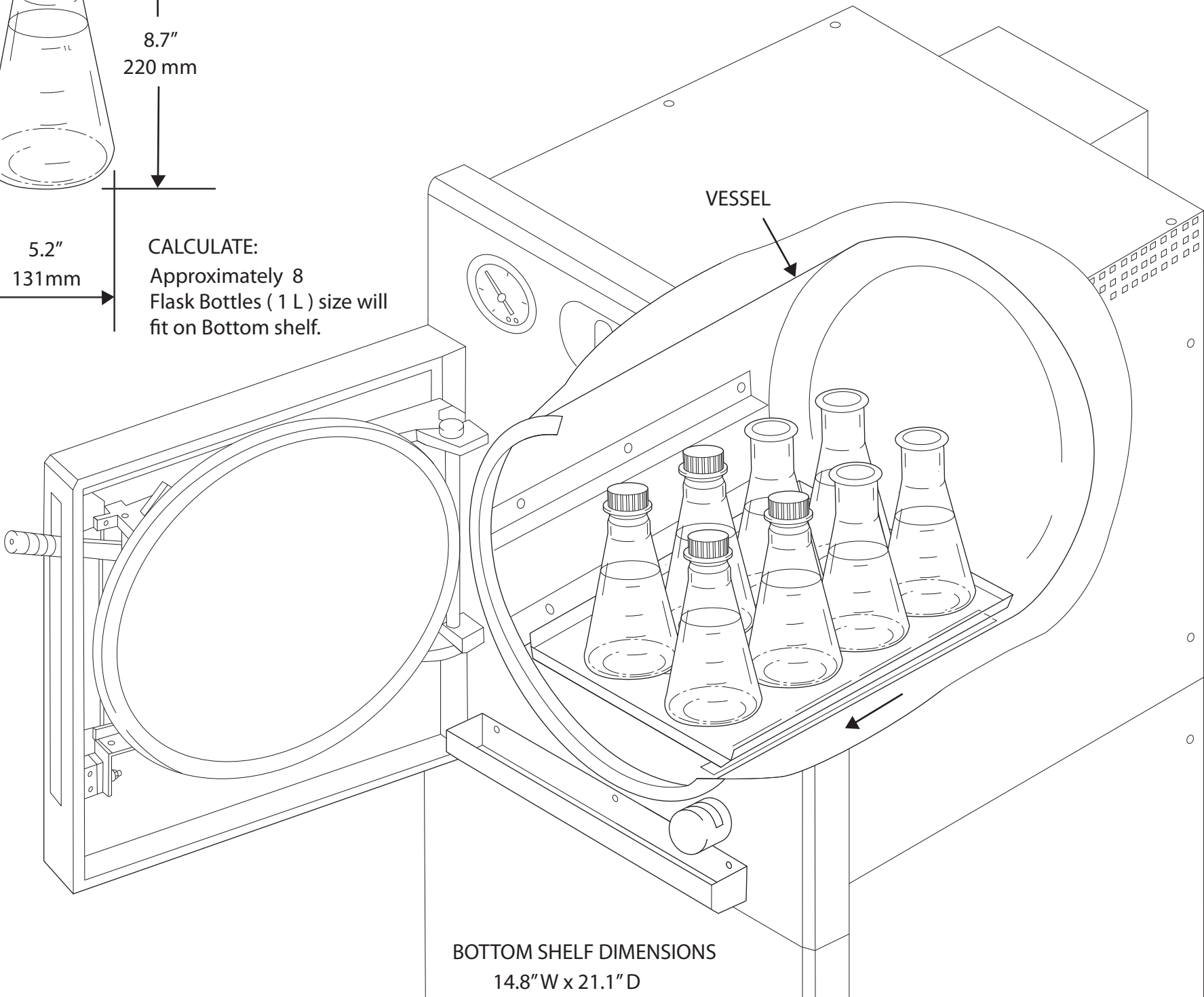
DOOR SWING



# EH100 WITH 1 LITER FLASKS

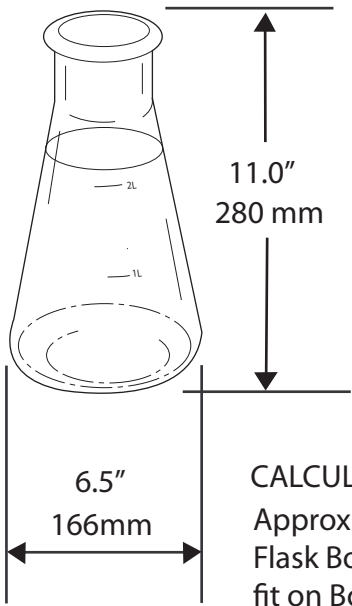


**CALCULATE:**  
Approximately 8  
Flask Bottles ( 1 L ) size will  
fit on Bottom shelf.

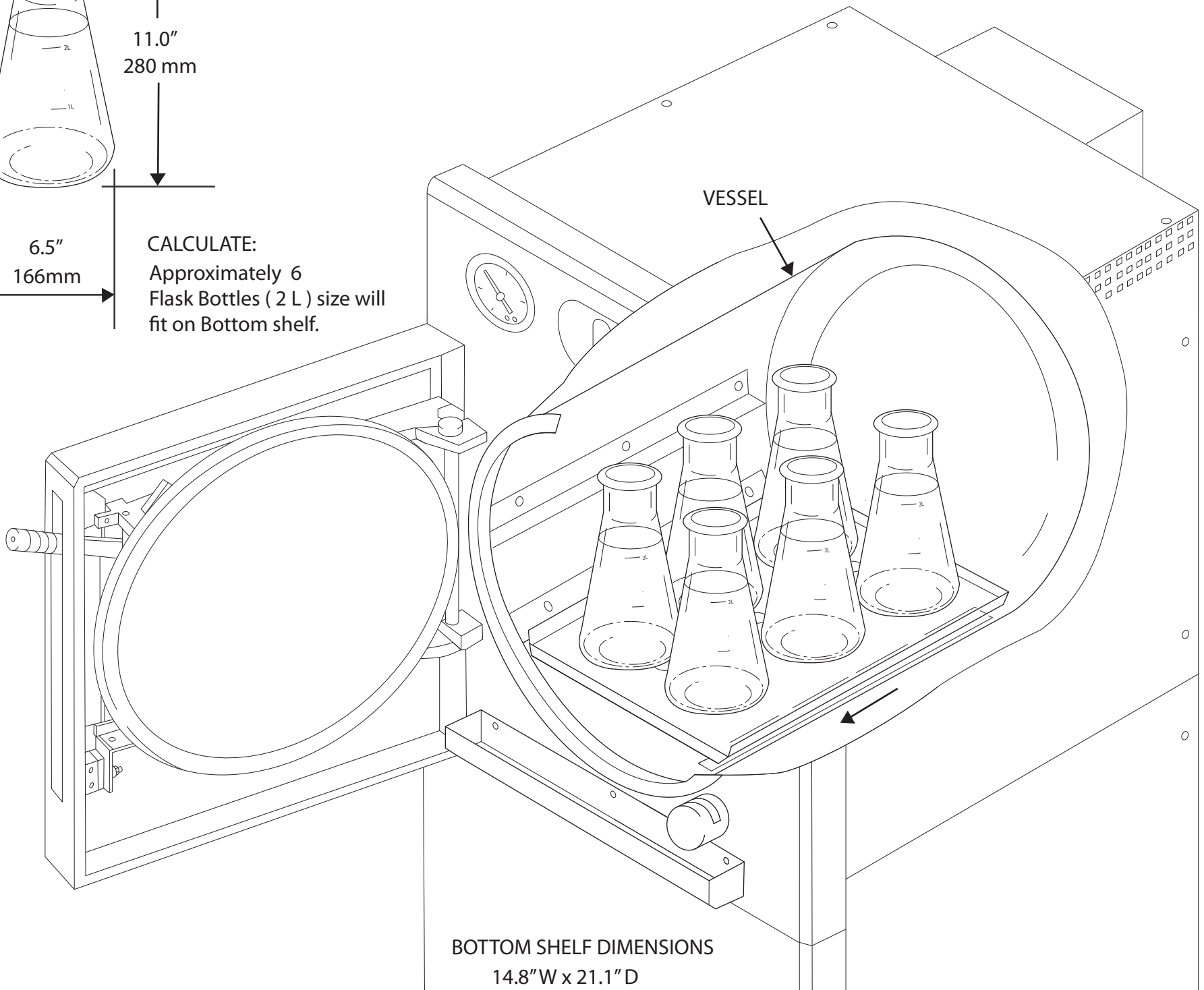


**BOTTOM SHELF DIMENSIONS**  
14.8" W x 21.1" D

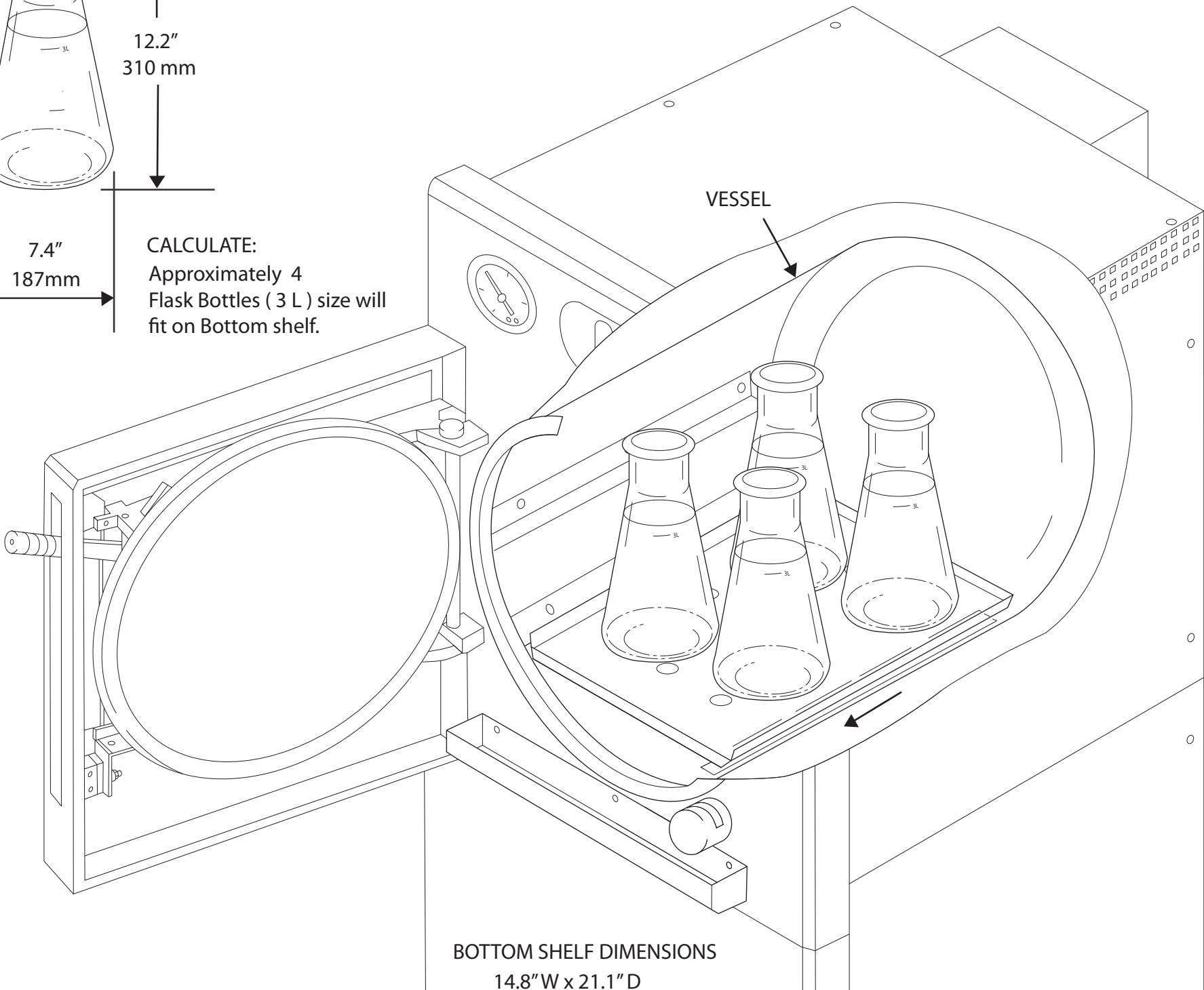
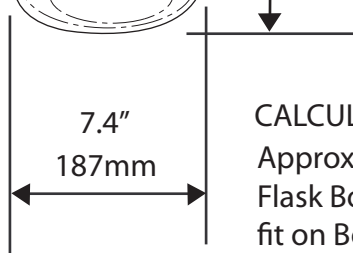
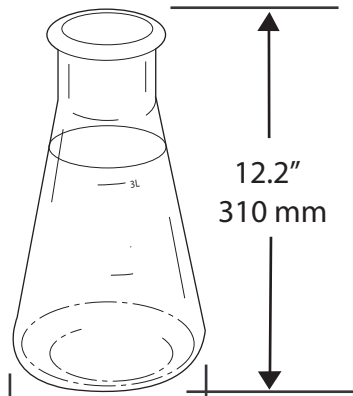
# EH100 WITH 2 LITER FLASKS



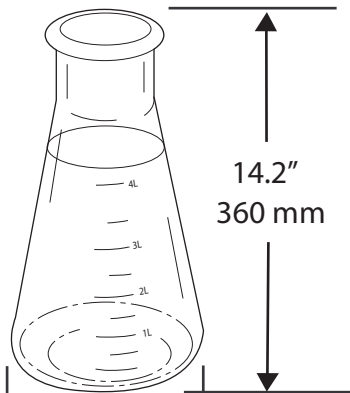
**CALCULATE:**  
Approximately 6  
Flask Bottles ( 2 L ) size will  
fit on Bottom shelf.



# EH100 WITH 3 LITER FLASKS



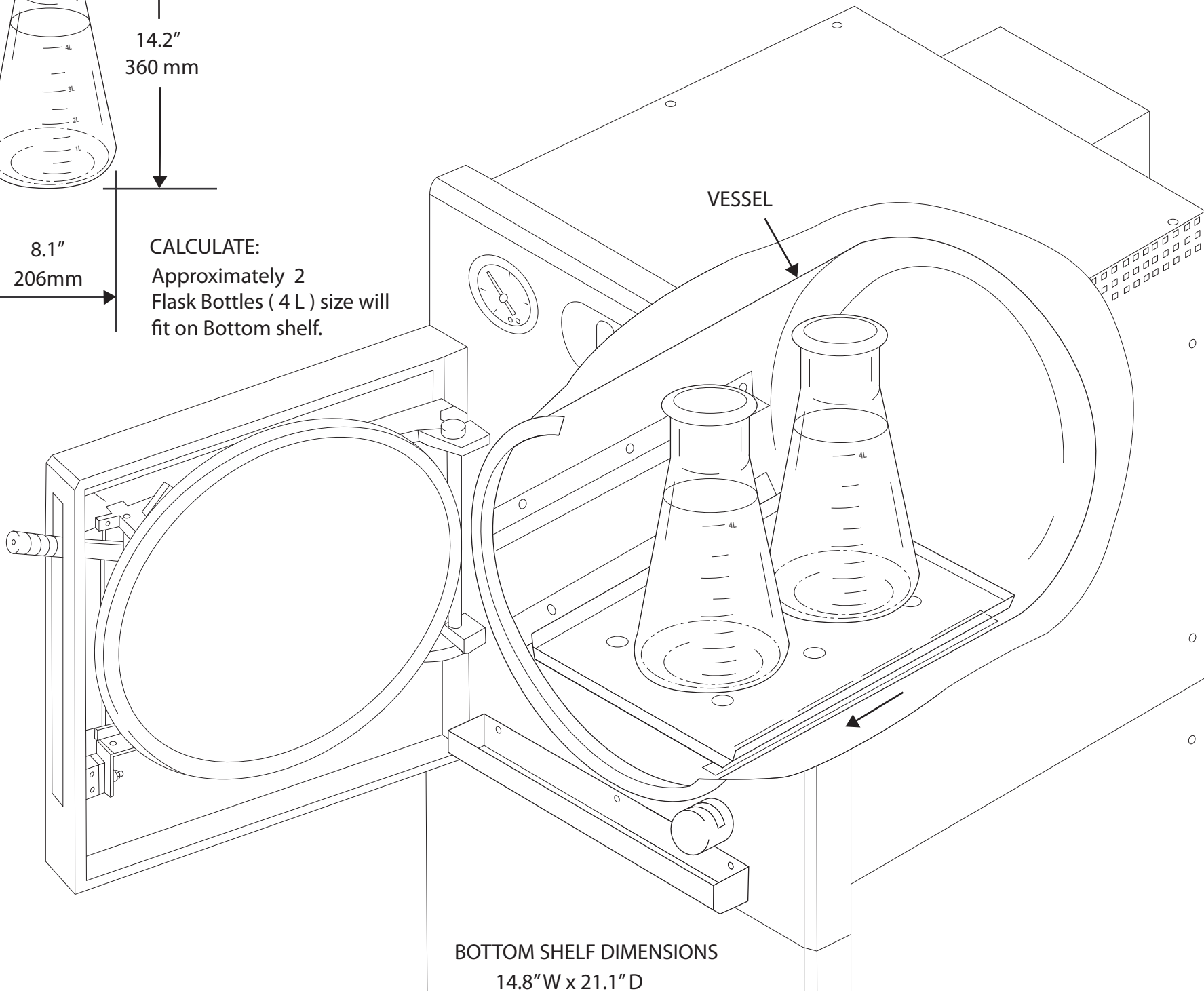
# EH100 WITH 4 LITER FLASKS



14.2"  
360 mm

8.1"  
206mm

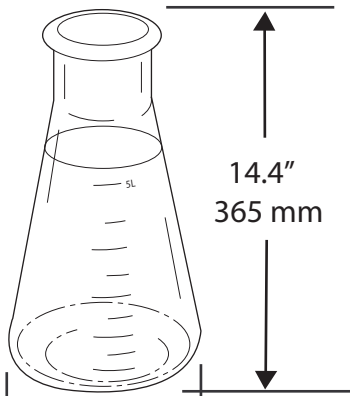
CALCULATE:  
Approximately 2  
Flask Bottles ( 4 L ) size will  
fit on Bottom shelf.



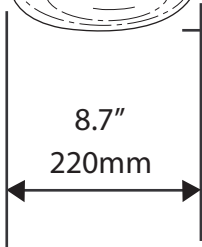
VESSEL

BOTTOM SHELF DIMENSIONS  
14.8"W x 21.1" D

# EH100 WITH 5 LITER FLASKS

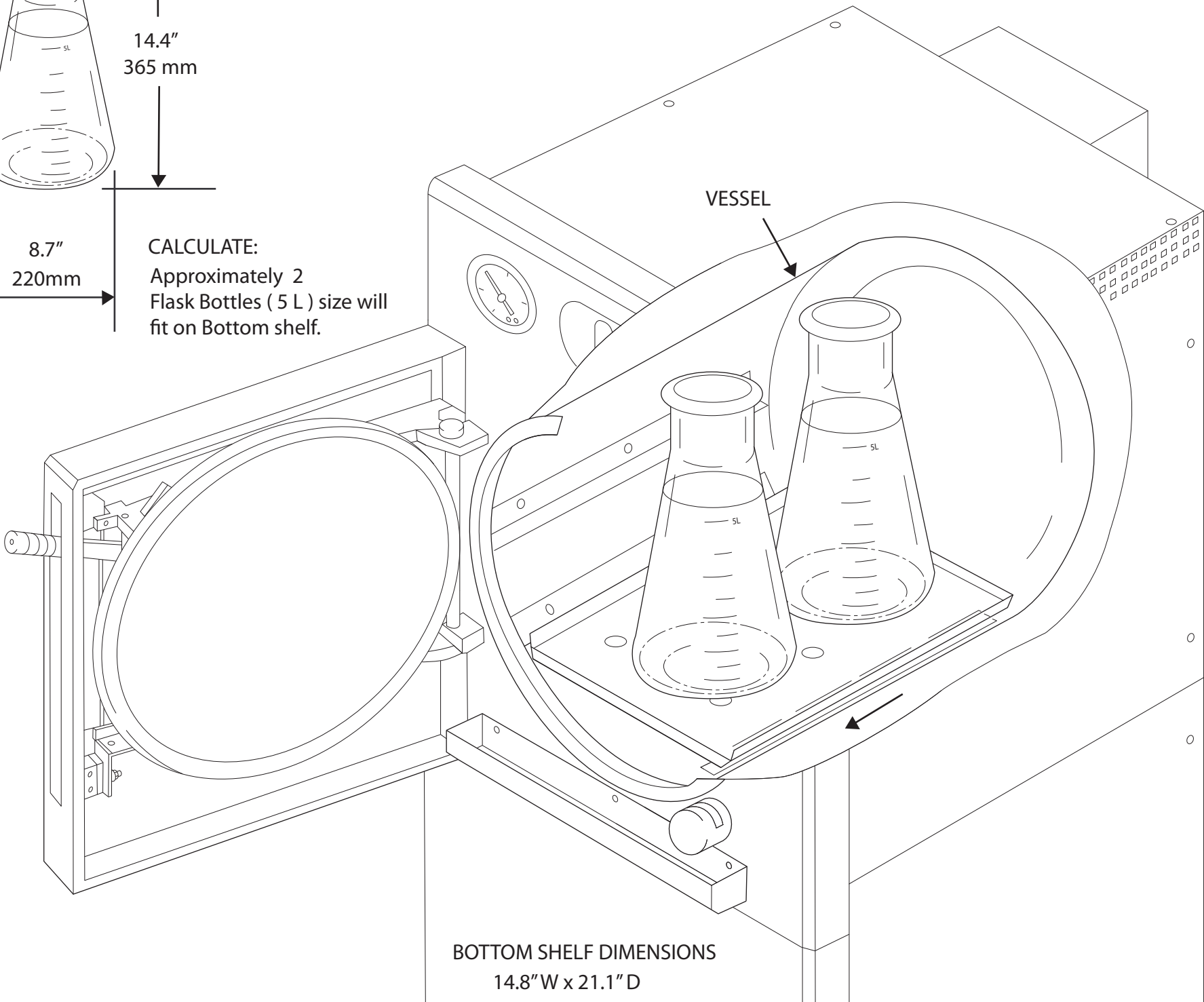


14.4"  
365 mm



8.7"  
220mm

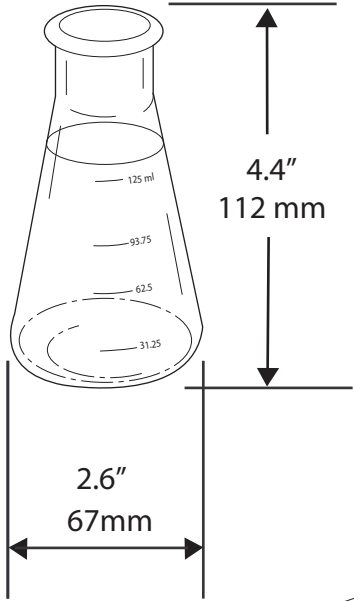
**CALCULATE:**  
Approximately 2  
Flask Bottles ( 5 L ) size will  
fit on Bottom shelf.



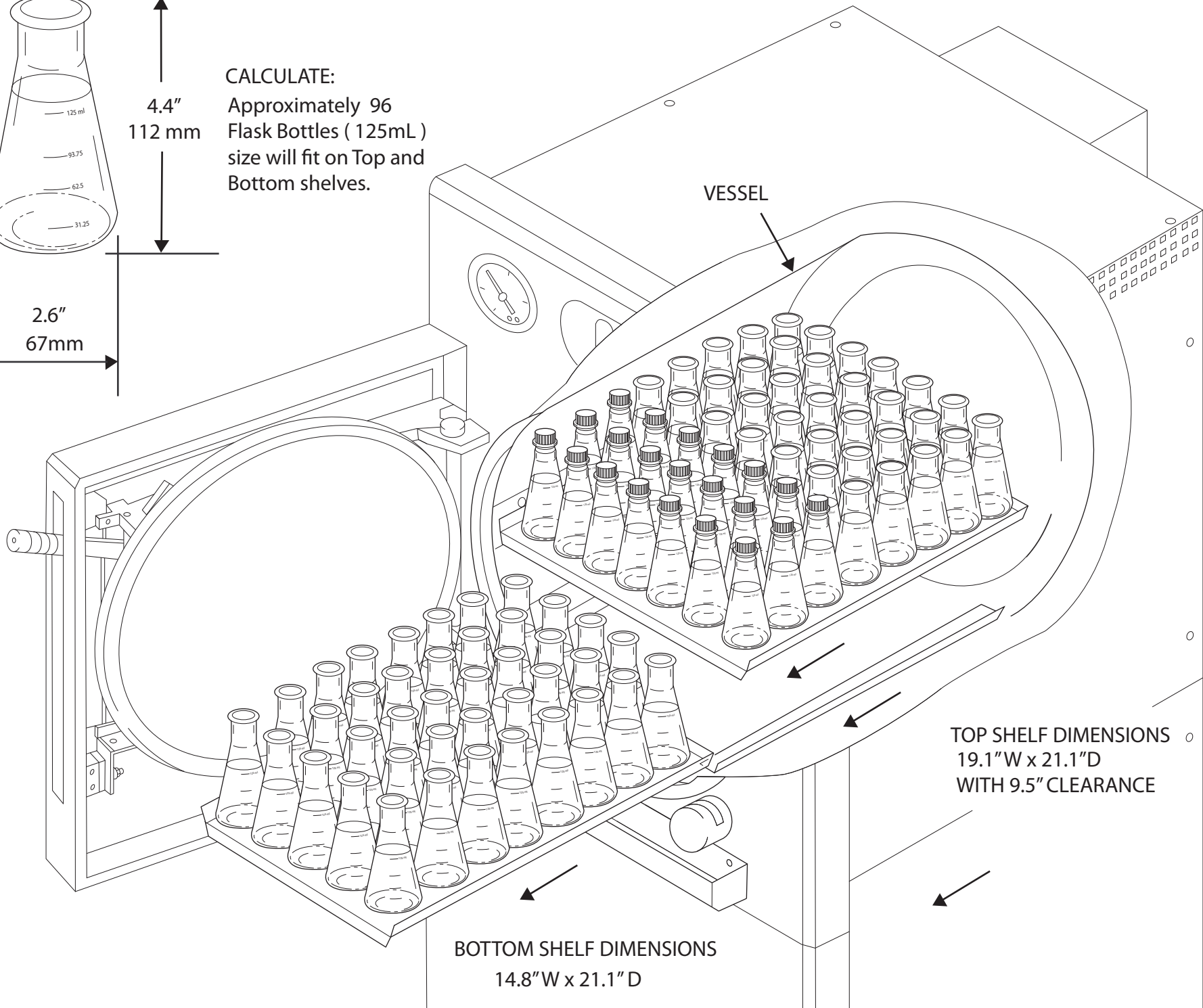
VESSEL

**BOTTOM SHELF DIMENSIONS**  
14.8" W x 21.1" D

# EH100 WITH 125mL FLASKS

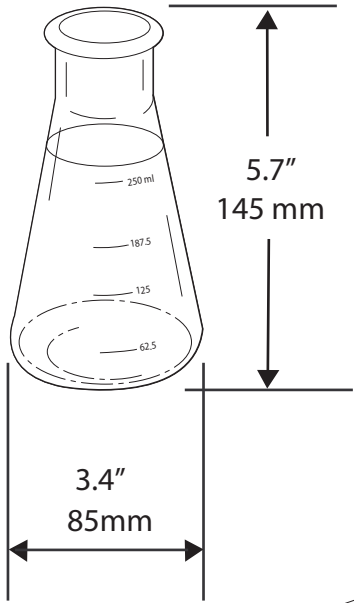


**CALCULATE:**  
Approximately 96  
Flask Bottles ( 125mL )  
size will fit on Top and  
Bottom shelves.

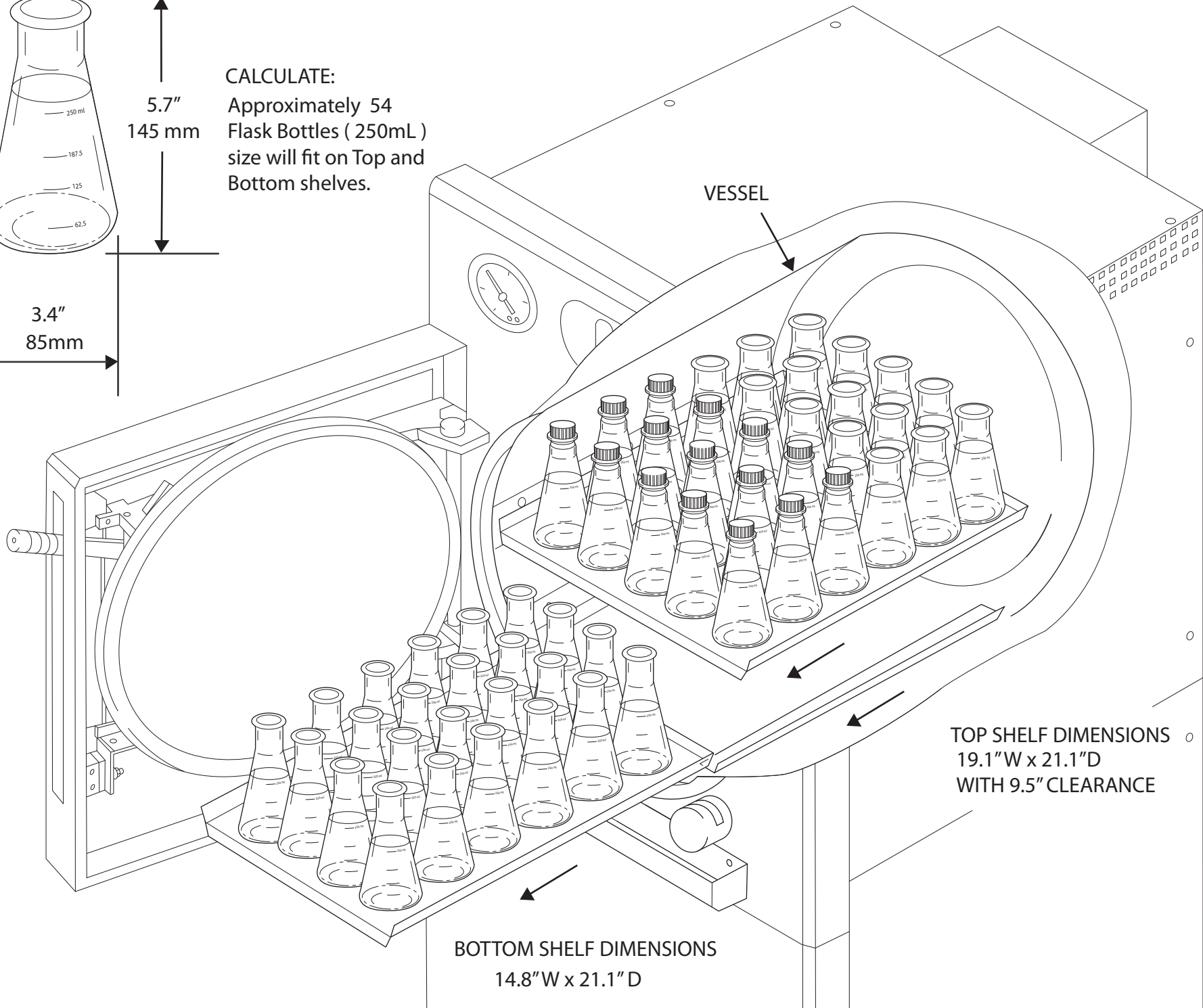




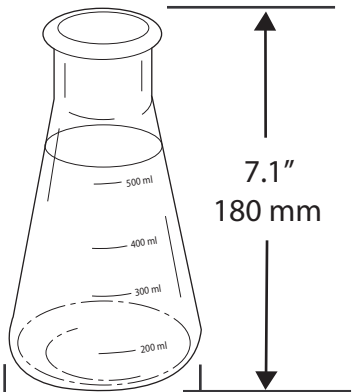
# EH100 WITH 250mL FLASKS



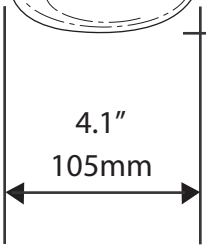
**CALCULATE:**  
Approximately 54  
Flask Bottles ( 250mL )  
size will fit on Top and  
Bottom shelves.



# EH100 WITH 500mL FLASKS



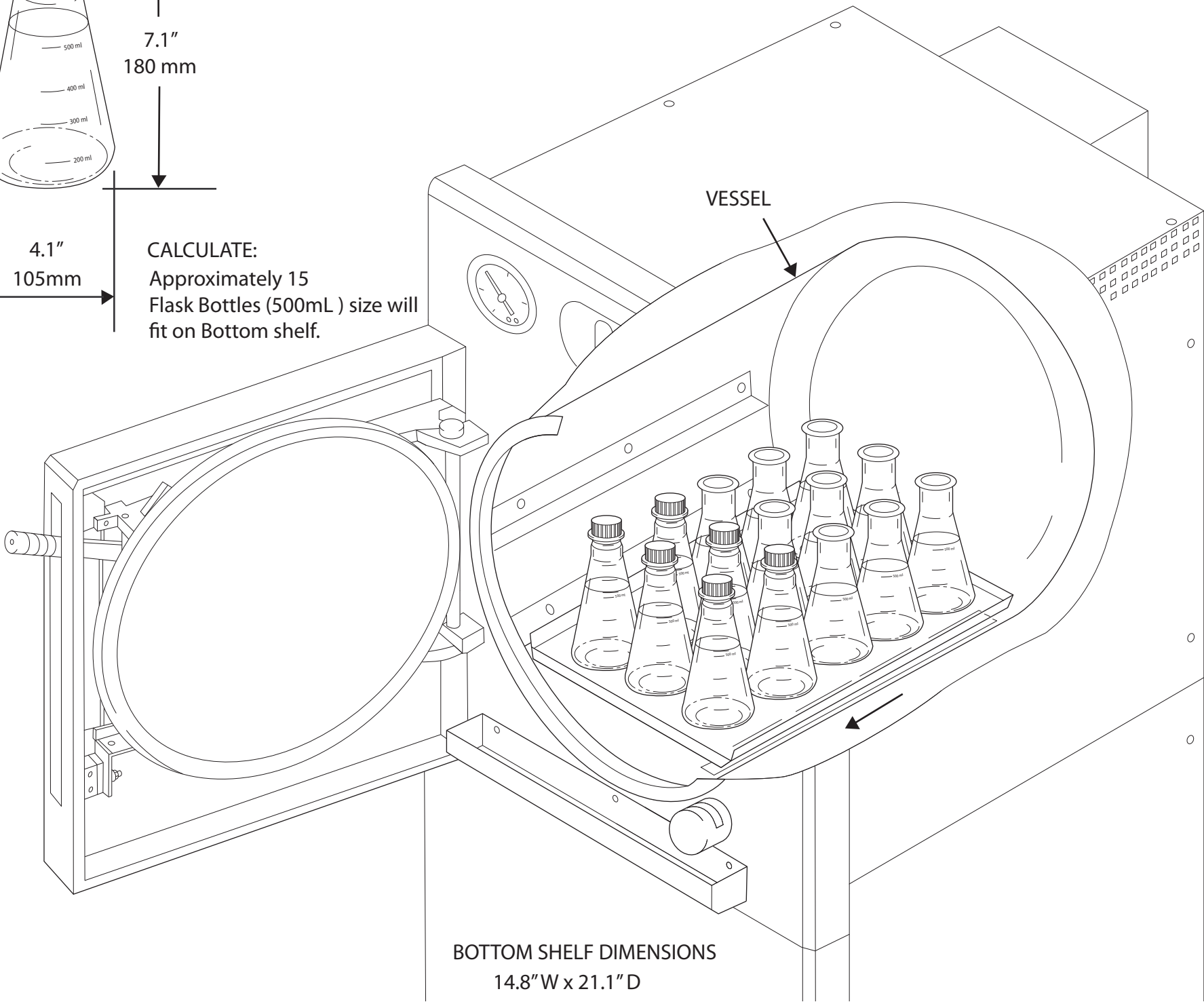
7.1"  
180 mm



4.1"  
105mm

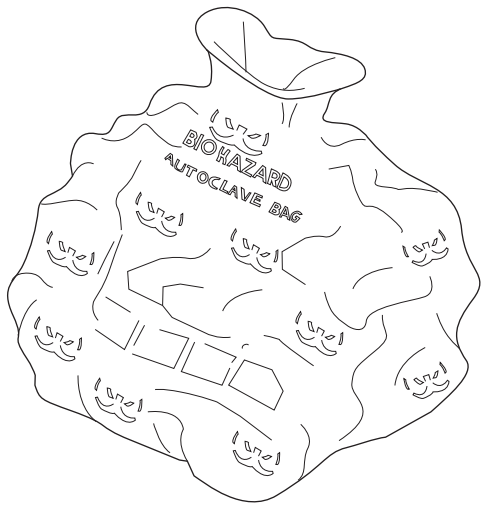
**CALCULATE:**  
Approximately 15  
Flask Bottles (500mL ) size will  
fit on Bottom shelf.

VESSEL

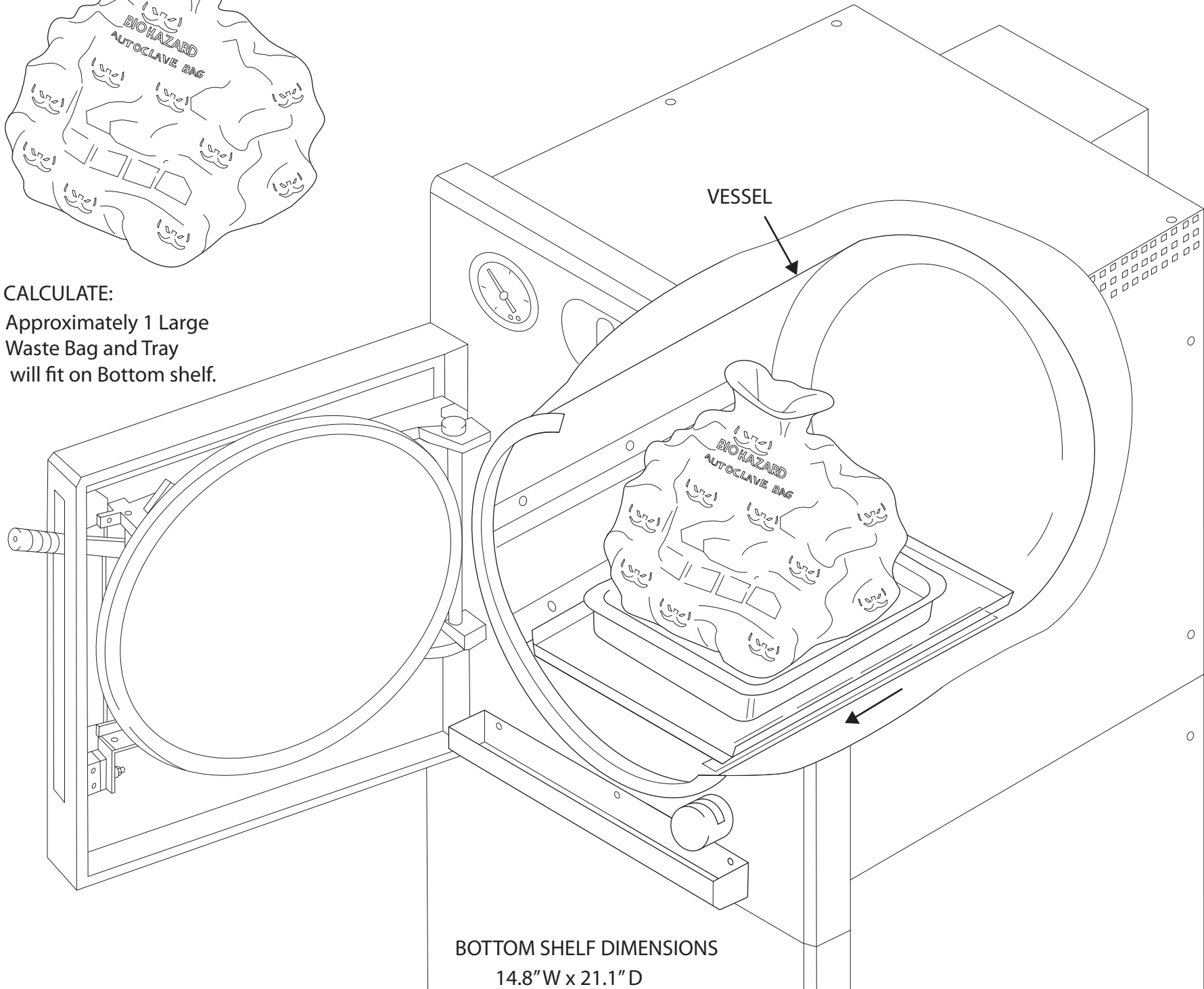


**BOTTOM SHELF DIMENSIONS**  
14.8" W x 21.1" D

# EH100 WITH AUTOCLAVE WASTE BAG



**CALCULATE:**  
Approximately 1 Large  
Waste Bag and Tray  
will fit on Bottom shelf.



**BOTTOM SHELF DIMENSIONS**  
14.8" W x 21.1" D

# EH100 WITH TEST TUBE RACKS

Typical Rack Size  
Holds 60 Tubes



← Tube size  
18 - 20 mm

3.25"  
82.6 mm

CALCULATE:

Approximately 8 Test  
Tube Racks will fit on  
both Top and Bottom  
shelves.

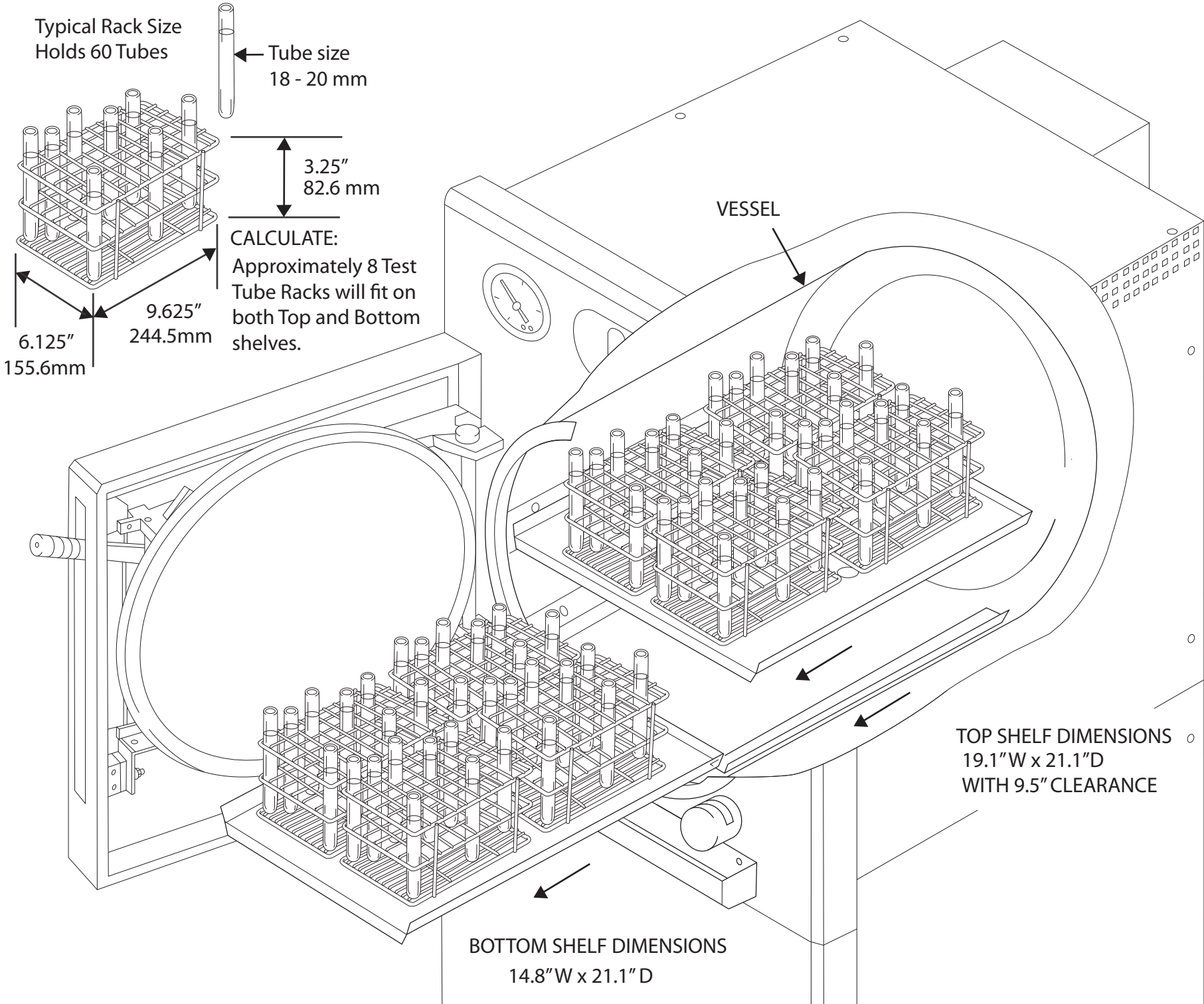
6.125"  
155.6mm

9.625"  
244.5mm

VESSEL

TOP SHELF DIMENSIONS  
19.1"W x 21.1"D  
WITH 9.5" CLEARANCE

BOTTOM SHELF DIMENSIONS  
14.8"W x 21.1"D



# EH100 WITH AUTOCLAVE WASTE BAGS AND HOLDERS

Bag size measures 8.5" x 11.8"  
215 x 300mm

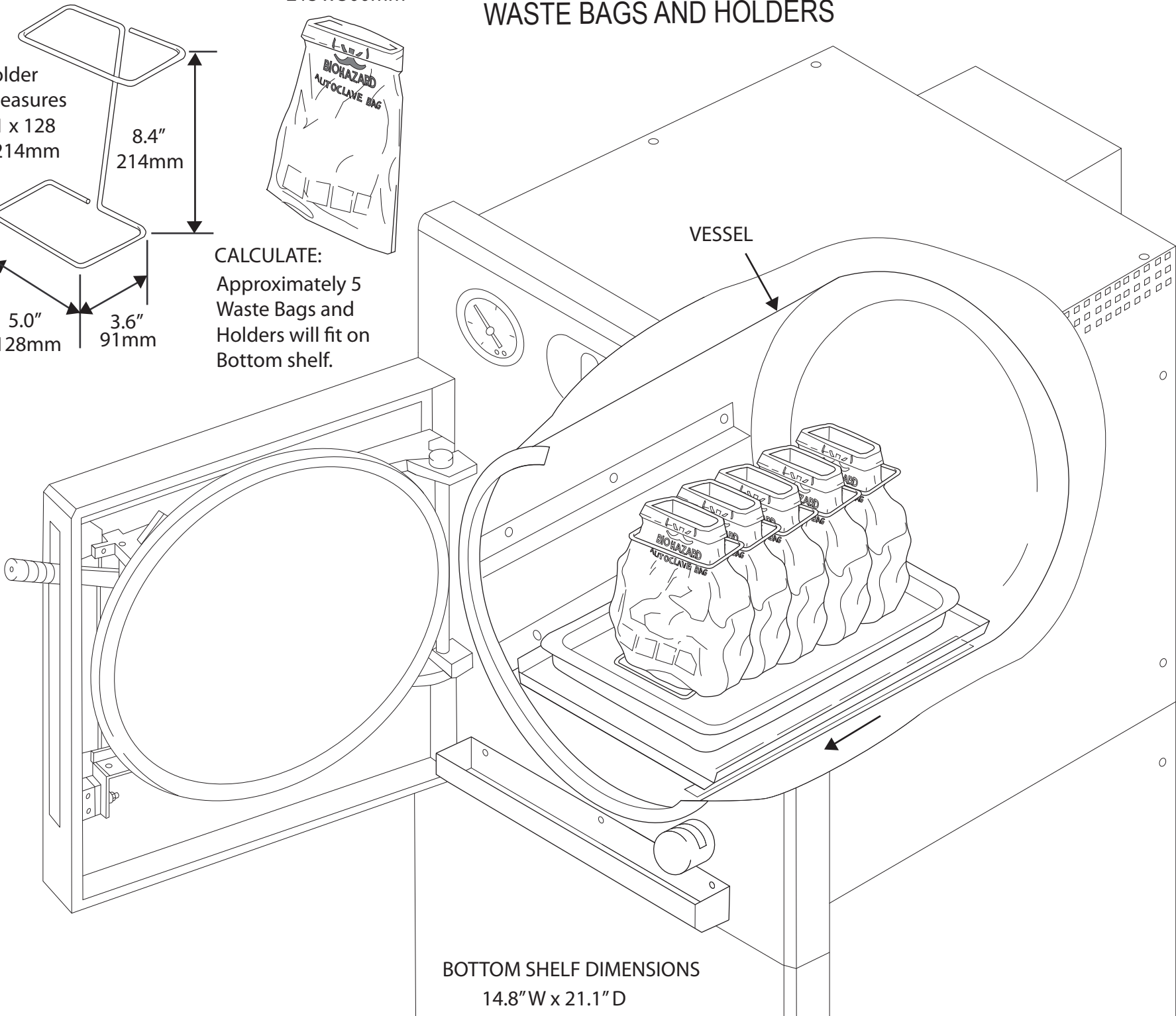
Holder  
measures  
91 x 128  
x 214mm

8.4"  
214mm

5.0"  
128mm

3.6"  
91mm

**CALCULATE:**  
Approximately 5  
Waste Bags and  
Holders will fit on  
Bottom shelf.



**BOTTOM SHELF DIMENSIONS**  
14.8" W x 21.1" D