

EH150 OUTSIDE DIMENSIONS

TOP SHELF DIMENSIONS

19.1" W x 29.1" D
with 9.5" clearance

41.3"
1050mm

28.9"
735mm

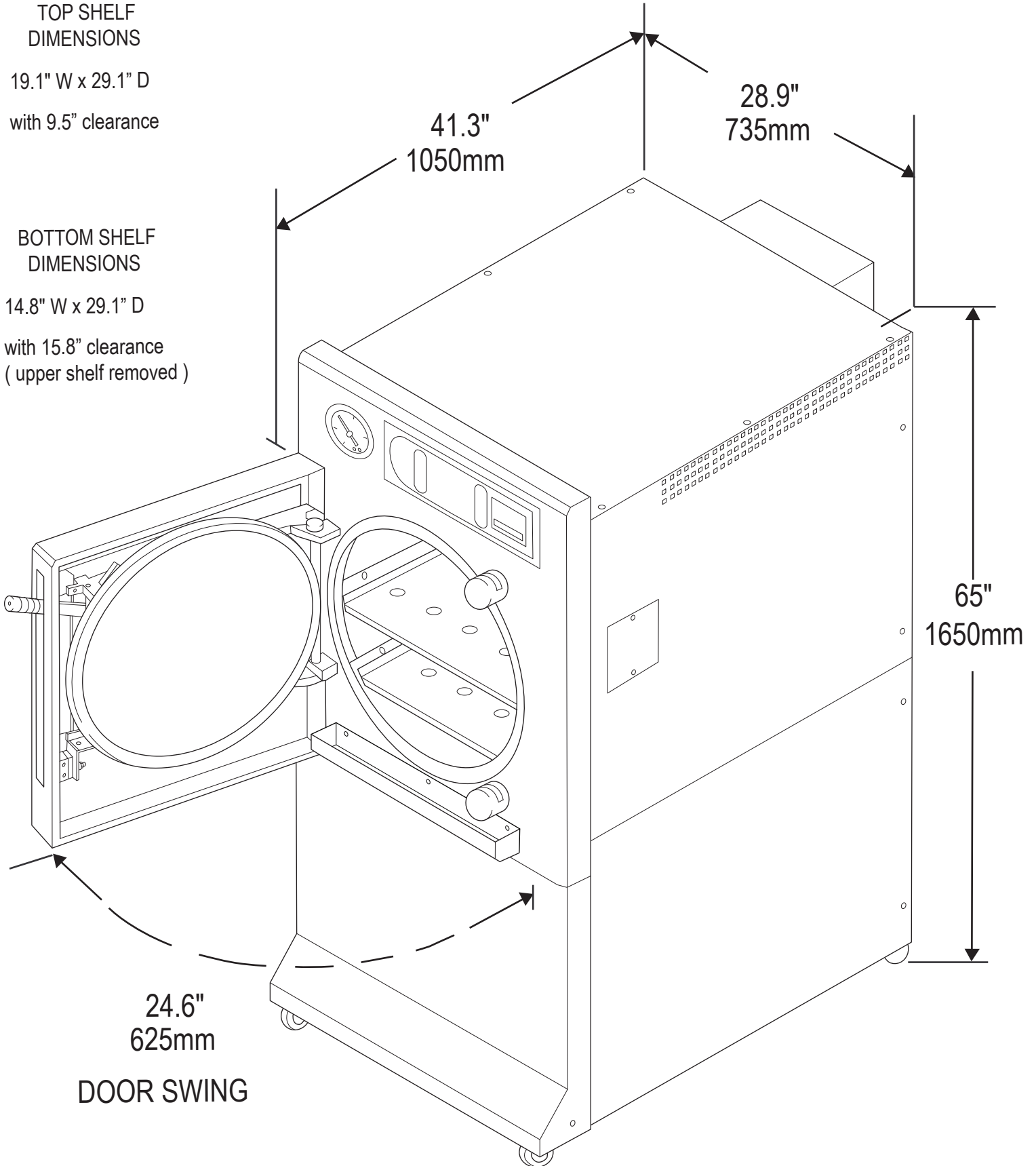
BOTTOM SHELF DIMENSIONS

14.8" W x 29.1" D
with 15.8" clearance
(upper shelf removed)

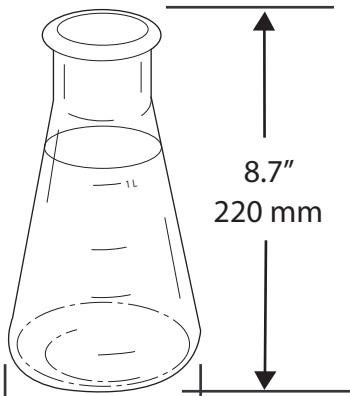
65"
1650mm

24.6"
625mm

DOOR SWING

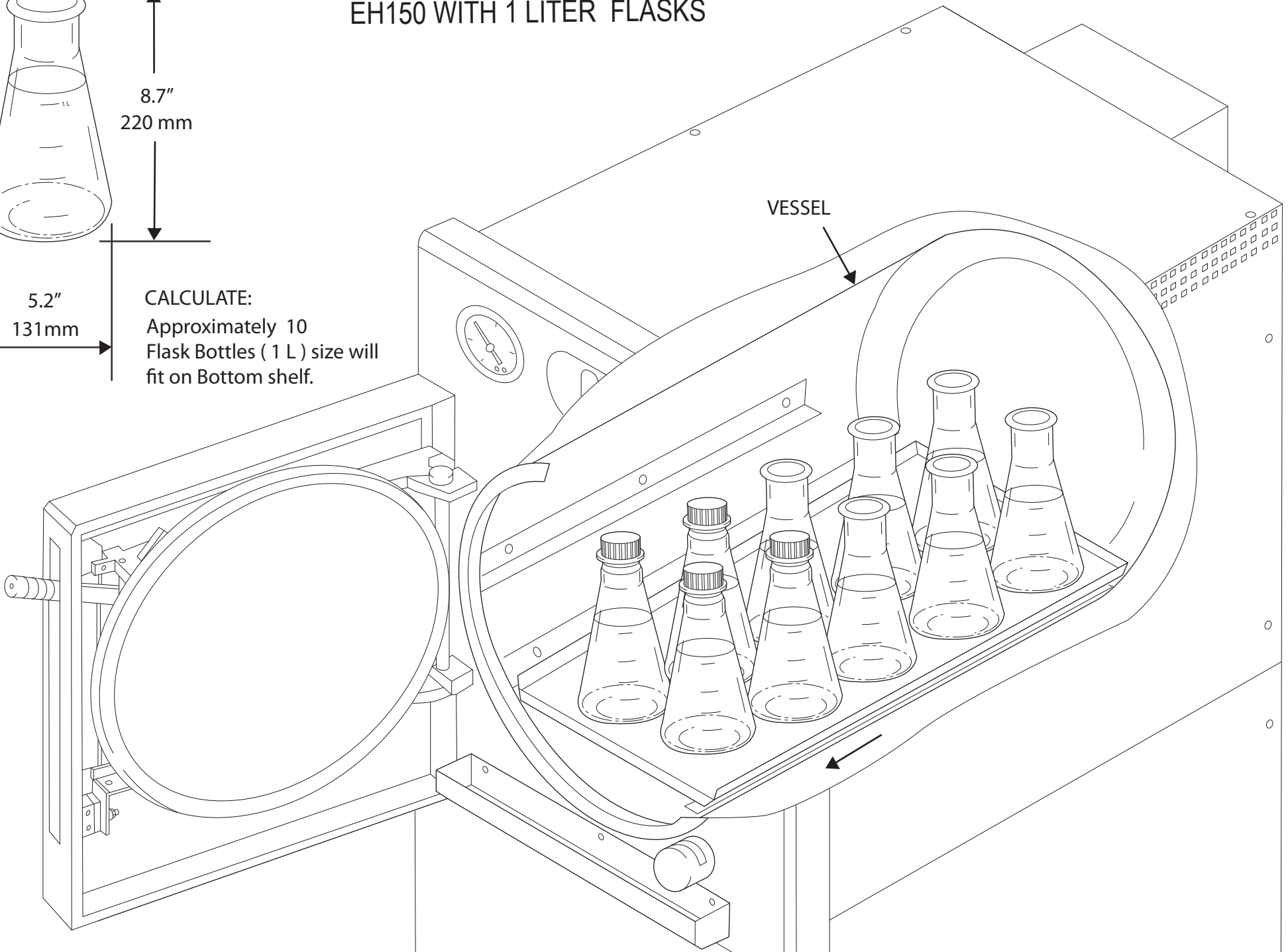


EH150 WITH 1 LITER FLASKS



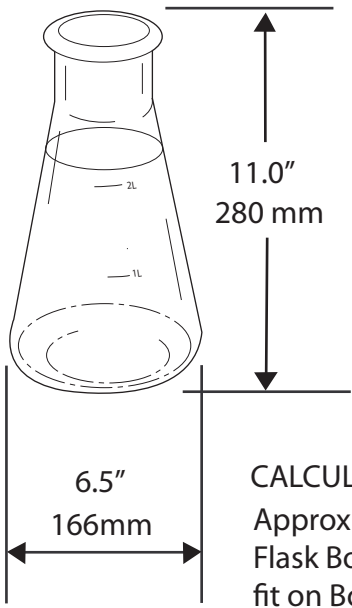
CALCULATE:
Approximately 10
Flask Bottles (1 L) size will
fit on Bottom shelf.

VESSEL



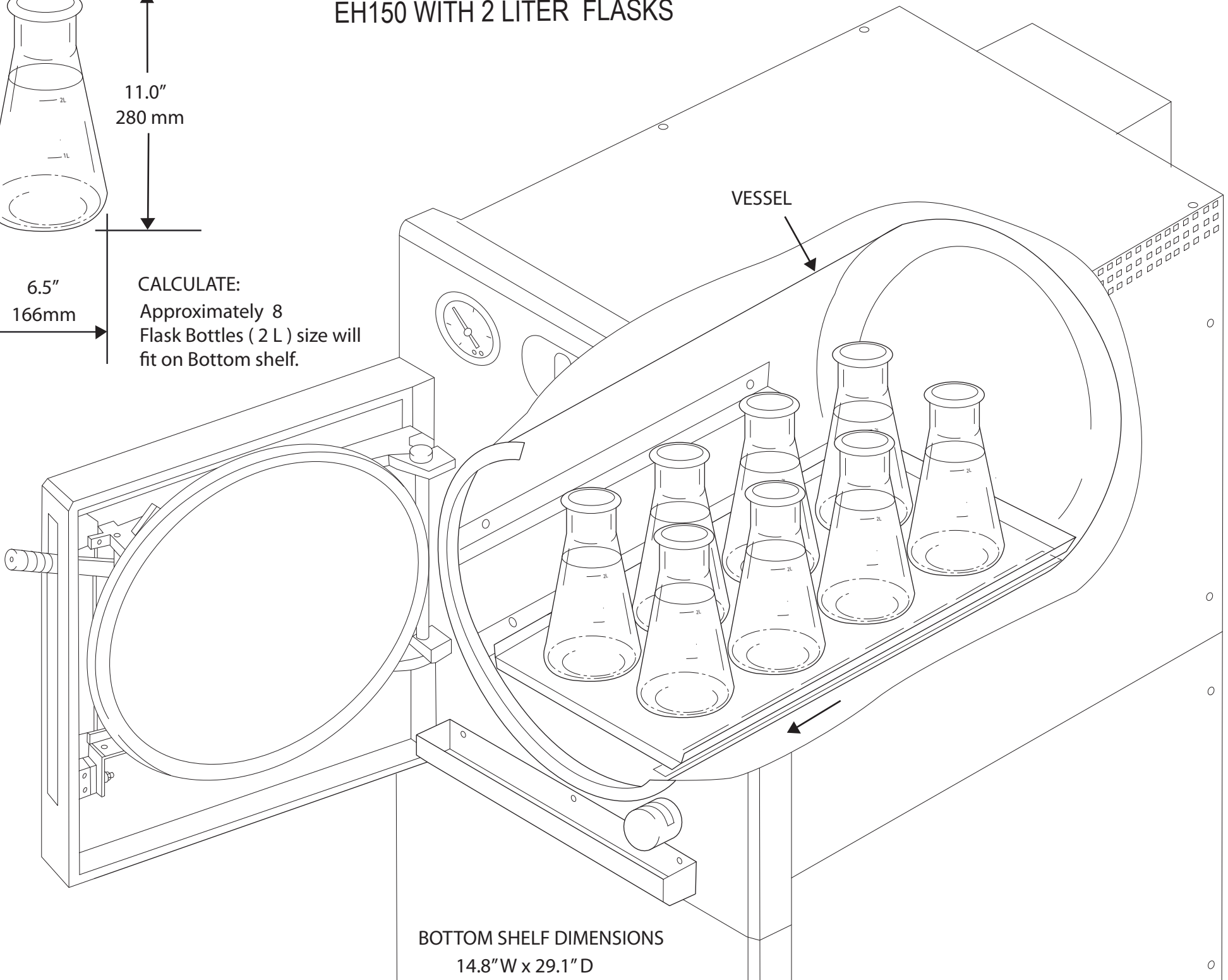
BOTTOM SHELF DIMENSIONS
14.8"W x 29.1" D

EH150 WITH 2 LITER FLASKS



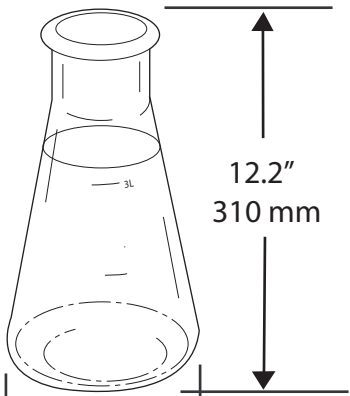
CALCULATE:
Approximately 8
Flask Bottles (2 L) size will
fit on Bottom shelf.

VESSEL

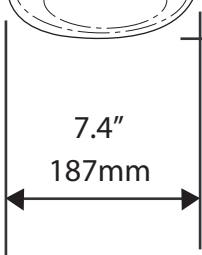


BOTTOM SHELF DIMENSIONS
14.8"W x 29.1" D

EH150 WITH 3 LITER FLASKS



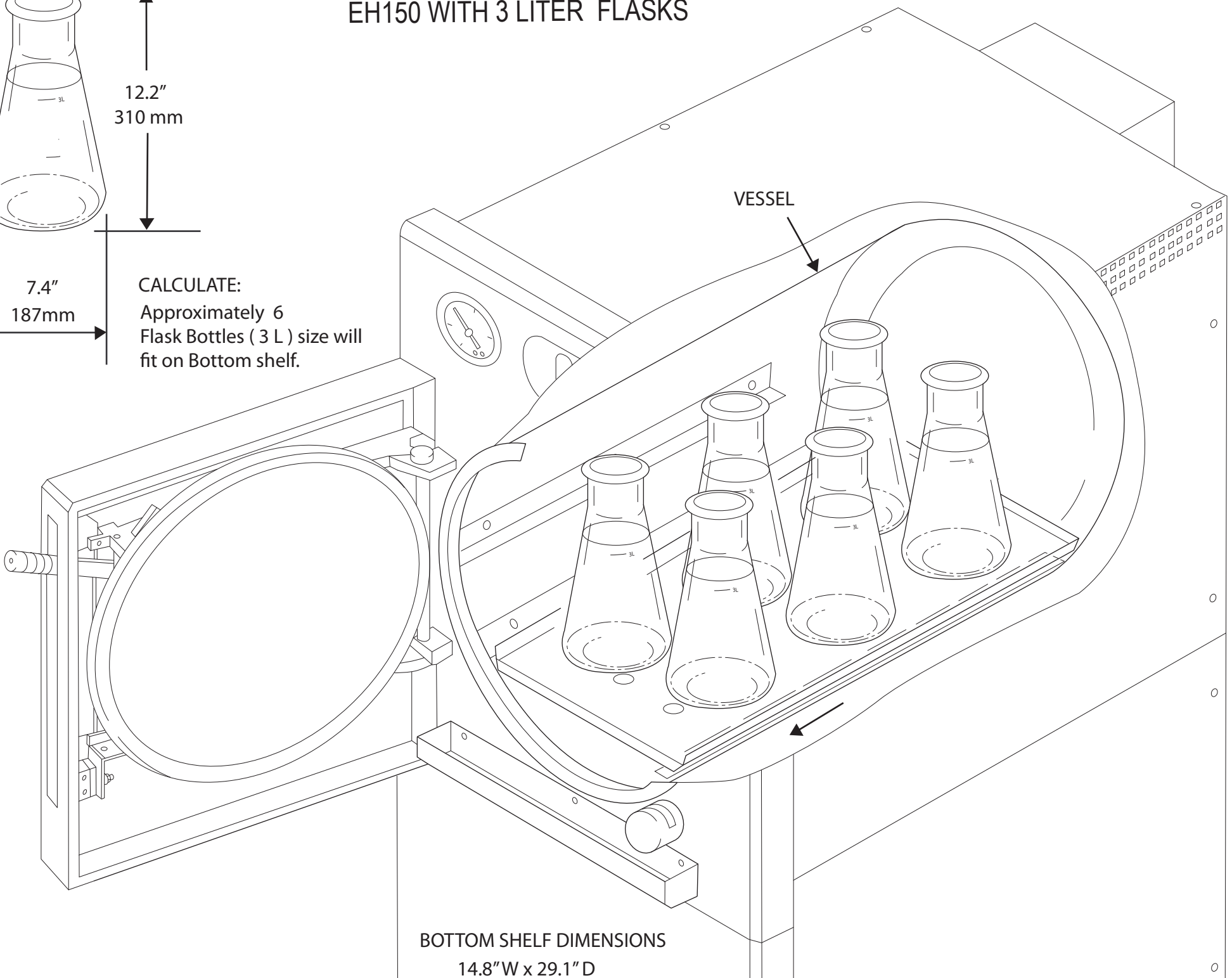
12.2"
310 mm



7.4"
187mm

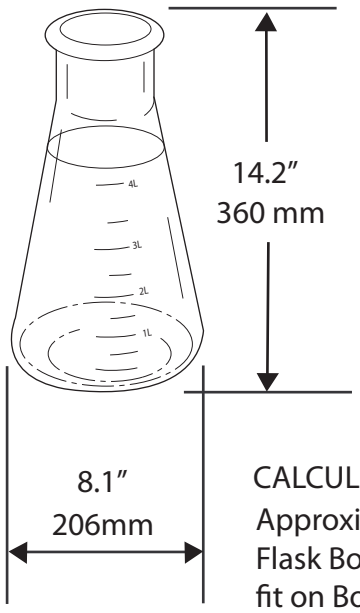
CALCULATE:
Approximately 6
Flask Bottles (3 L) size will
fit on Bottom shelf.

VESSEL

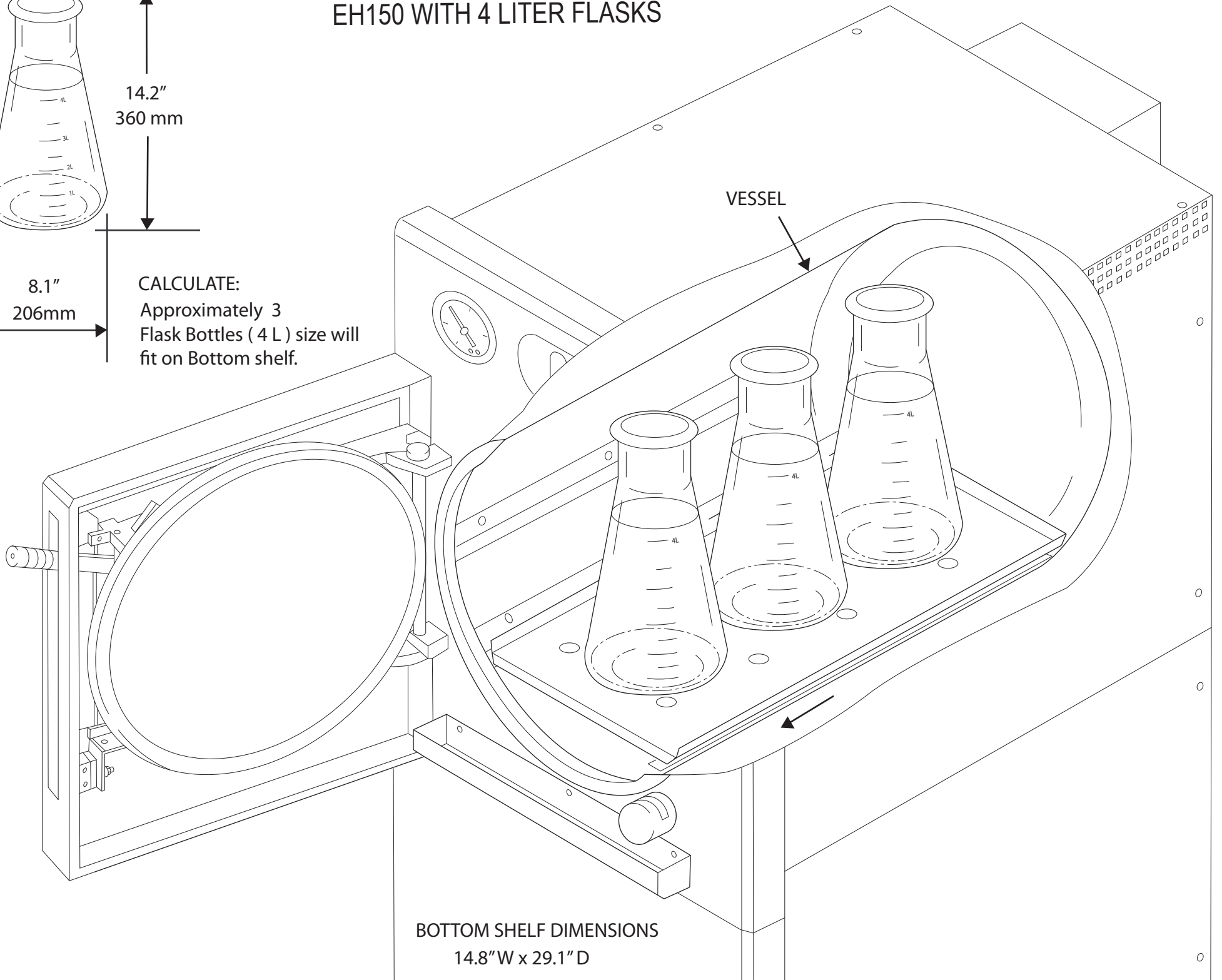


BOTTOM SHELF DIMENSIONS
14.8"W x 29.1"D

EH150 WITH 4 LITER FLASKS

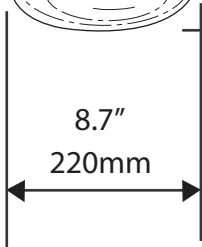
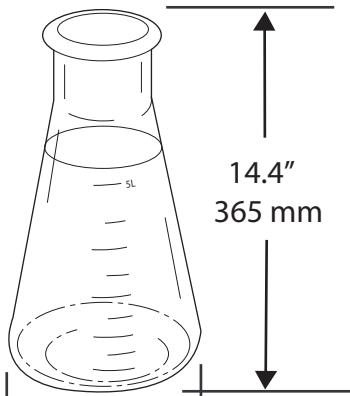


CALCULATE:
Approximately 3
Flask Bottles (4 L) size will
fit on Bottom shelf.

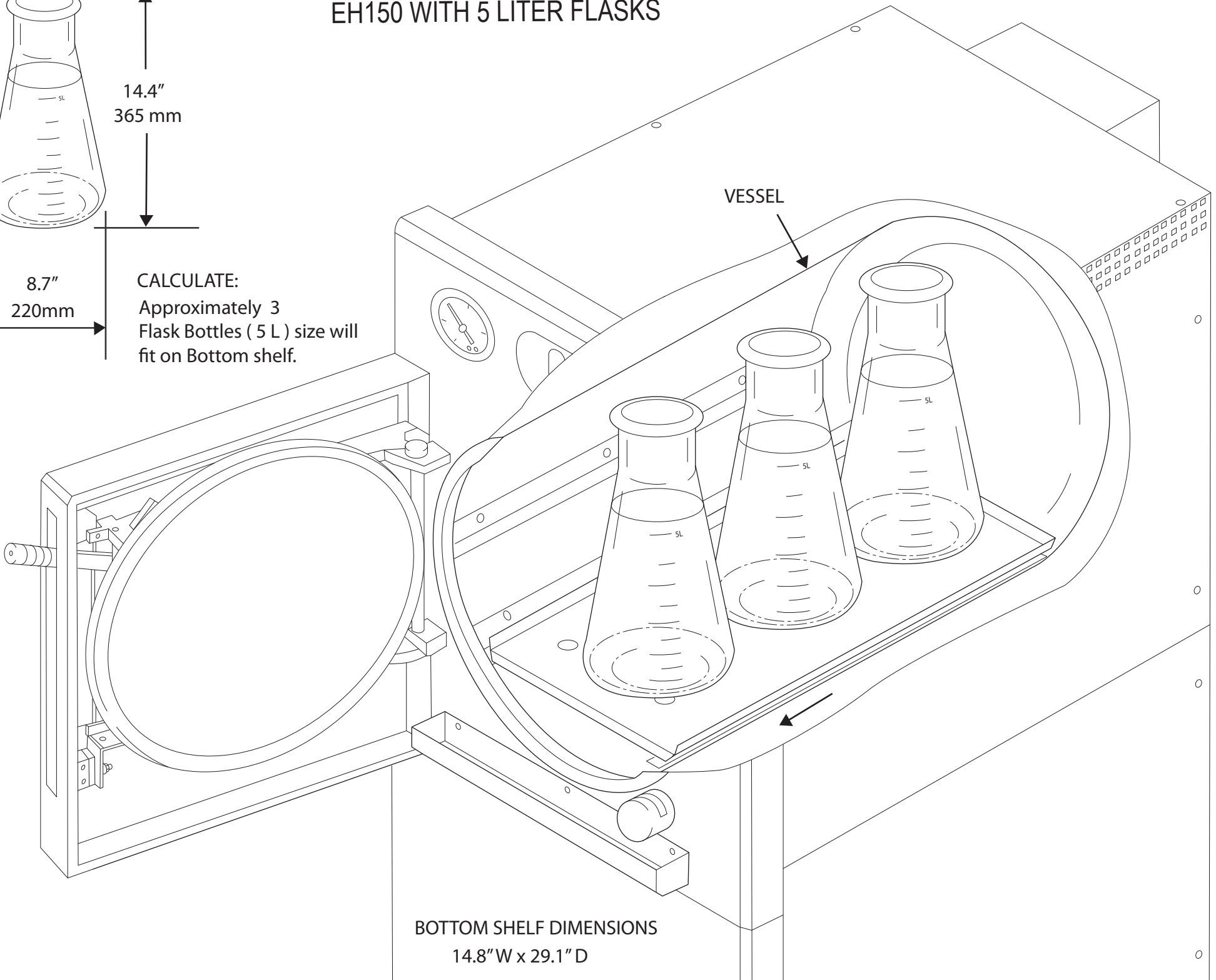


BOTTOM SHELF DIMENSIONS
14.8" W x 29.1" D

EH150 WITH 5 LITER FLASKS

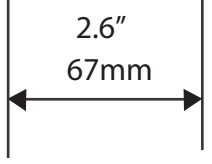
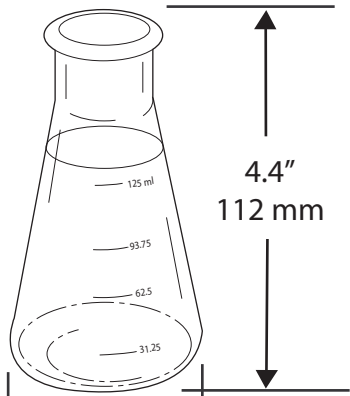


CALCULATE:
Approximately 3
Flask Bottles (5 L) size will
fit on Bottom shelf.

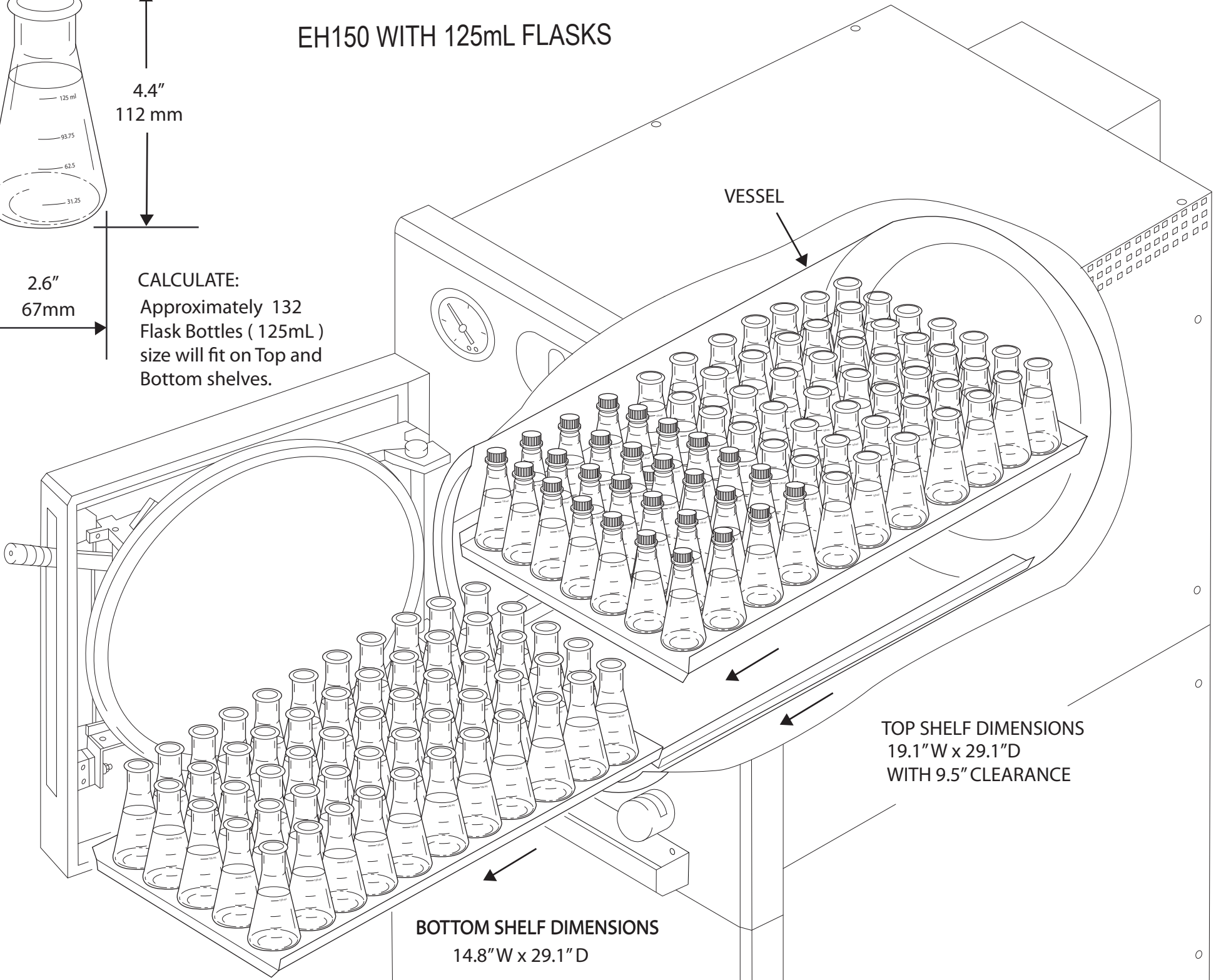


BOTTOM SHELF DIMENSIONS
14.8" W x 29.1" D

EH150 WITH 125mL FLASKS



CALCULATE:
Approximately 132
Flask Bottles (125mL)
size will fit on Top and
Bottom shelves.

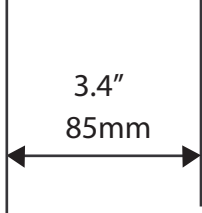
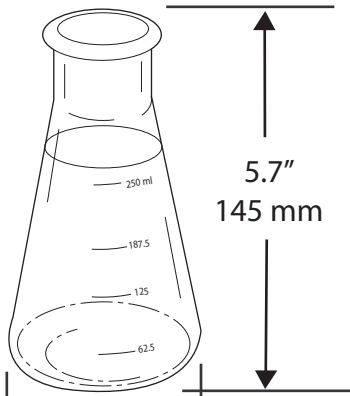


VESSEL

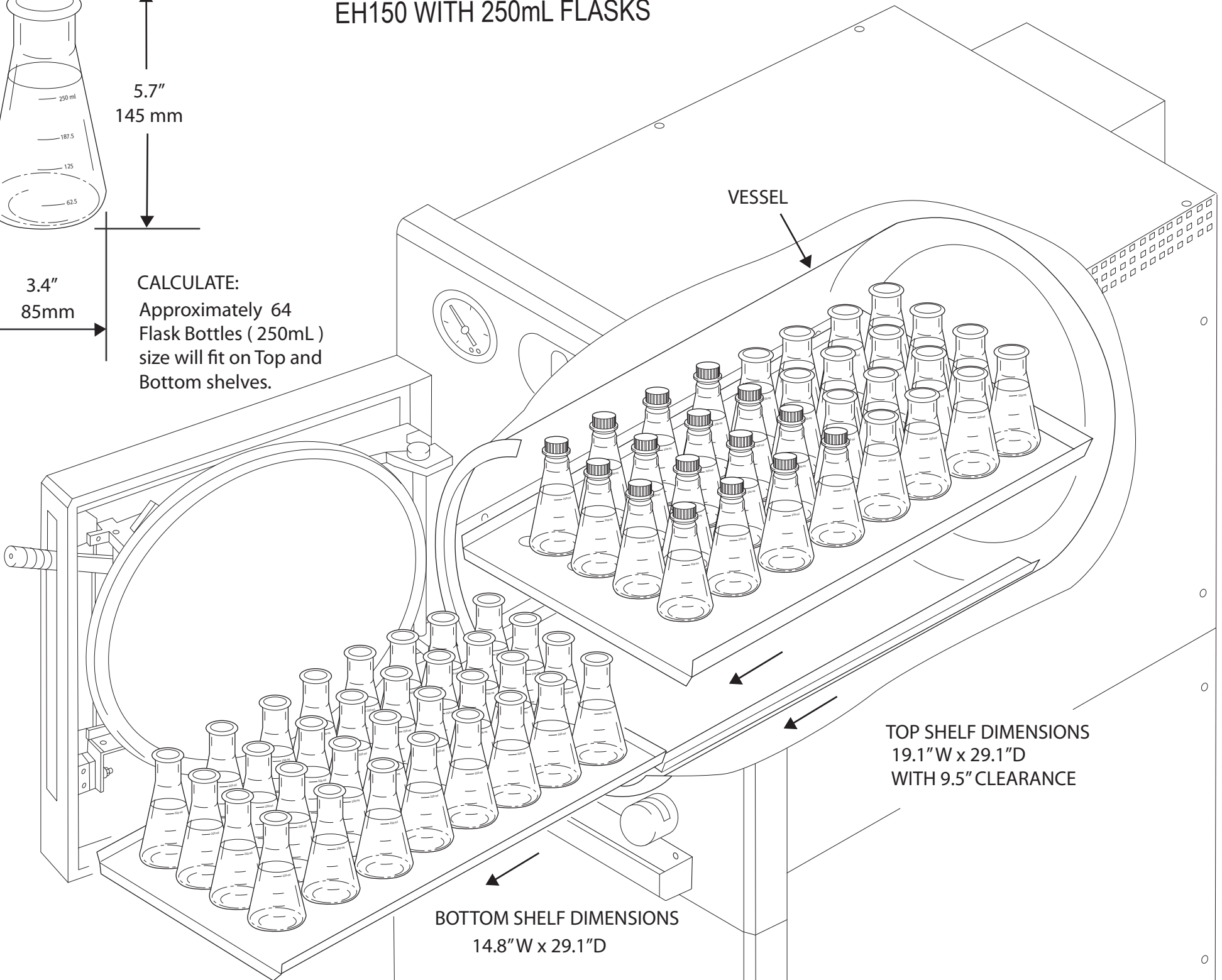
TOP SHELF DIMENSIONS
19.1" W x 29.1" D
WITH 9.5" CLEARANCE

BOTTOM SHELF DIMENSIONS
14.8" W x 29.1" D

EH150 WITH 250mL FLASKS



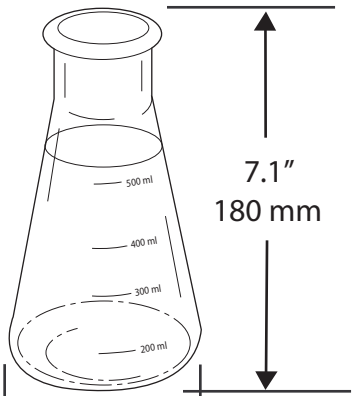
CALCULATE:
Approximately 64
Flask Bottles (250mL)
size will fit on Top and
Bottom shelves.



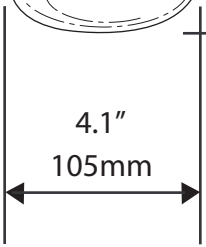
TOP SHELF DIMENSIONS
19.1" W x 29.1" D
WITH 9.5" CLEARANCE

BOTTOM SHELF DIMENSIONS
14.8" W x 29.1" D

EH150 WITH 500mL FLASKS



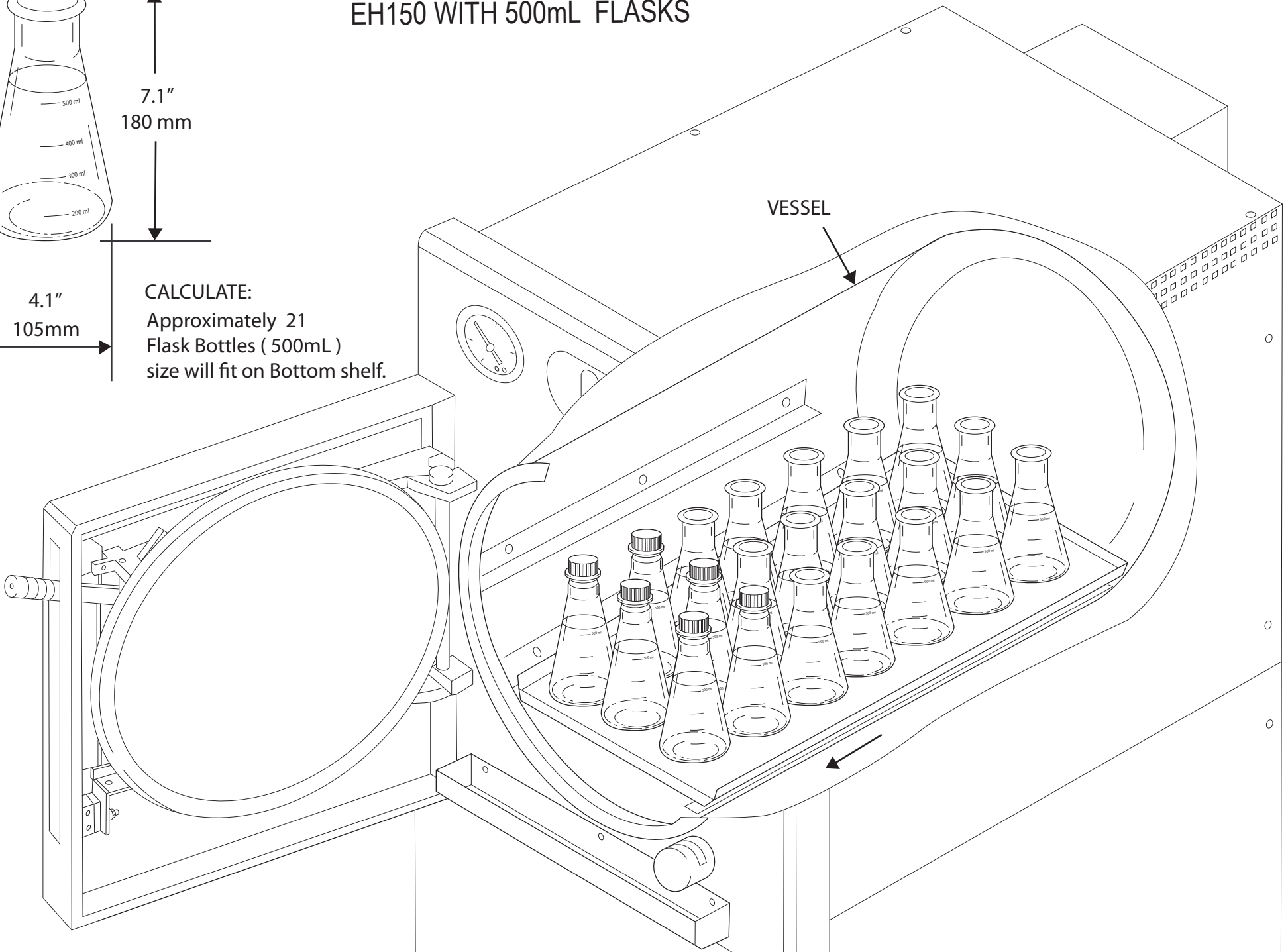
7.1"
180 mm



4.1"
105mm

CALCULATE:
Approximately 21
Flask Bottles (500mL)
size will fit on Bottom shelf.

VESSEL



BOTTOM SHELF DIMENSIONS
14.8"W x 29.1"D

EH150 WITH AUTOCLAVE WASTE BAGS AND HOLDERS

Bag size measures 8.5" x 11.8"
215 x 300mm

Holder
measures
91 x 128
x 214mm

8.4"
214mm

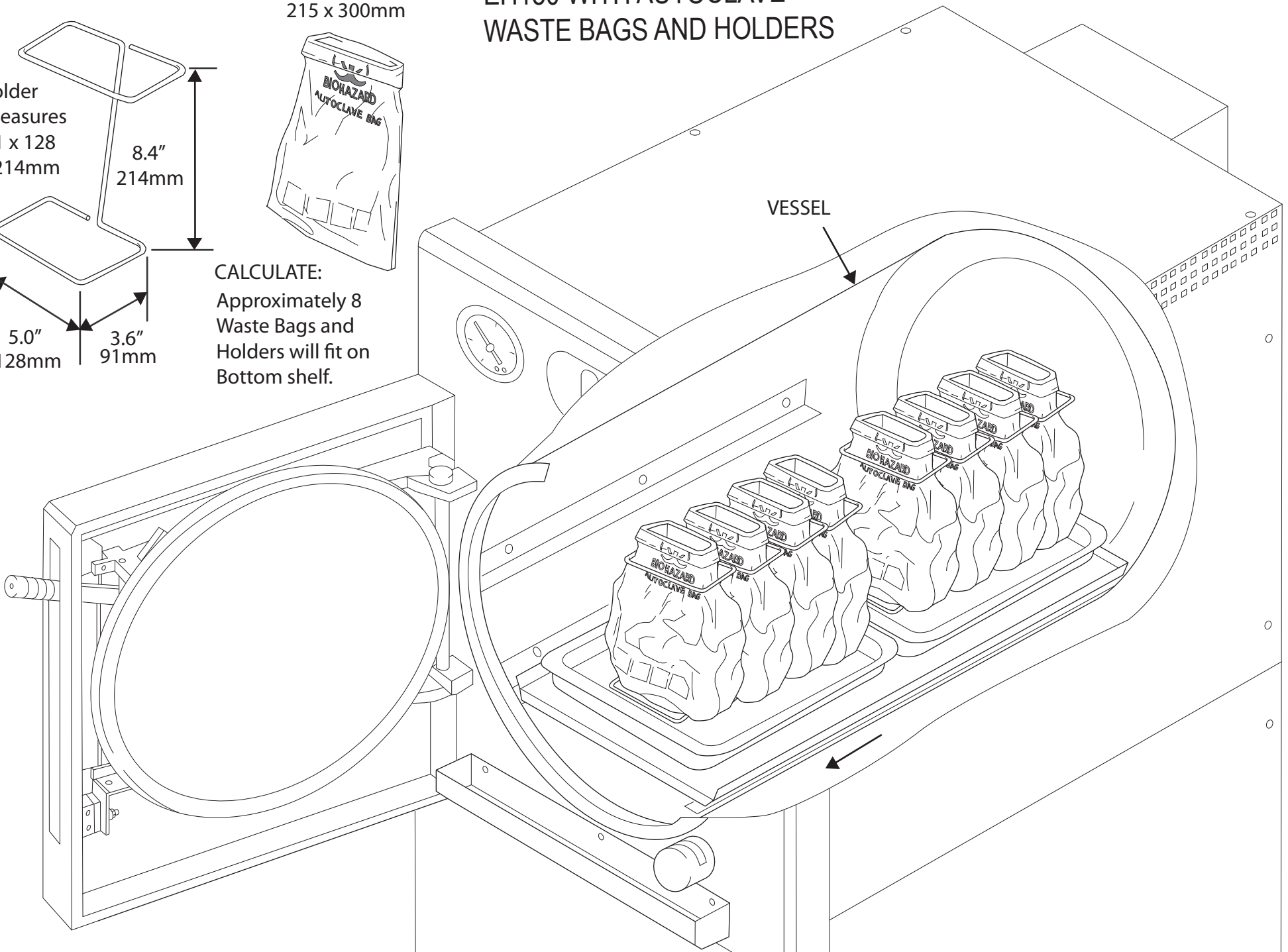


CALCULATE:
Approximately 8
Waste Bags and
Holders will fit on
Bottom shelf.

5.0"
128mm

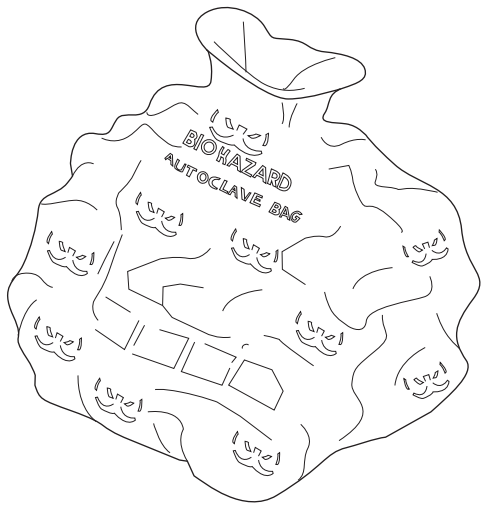
3.6"
91mm

VESSEL

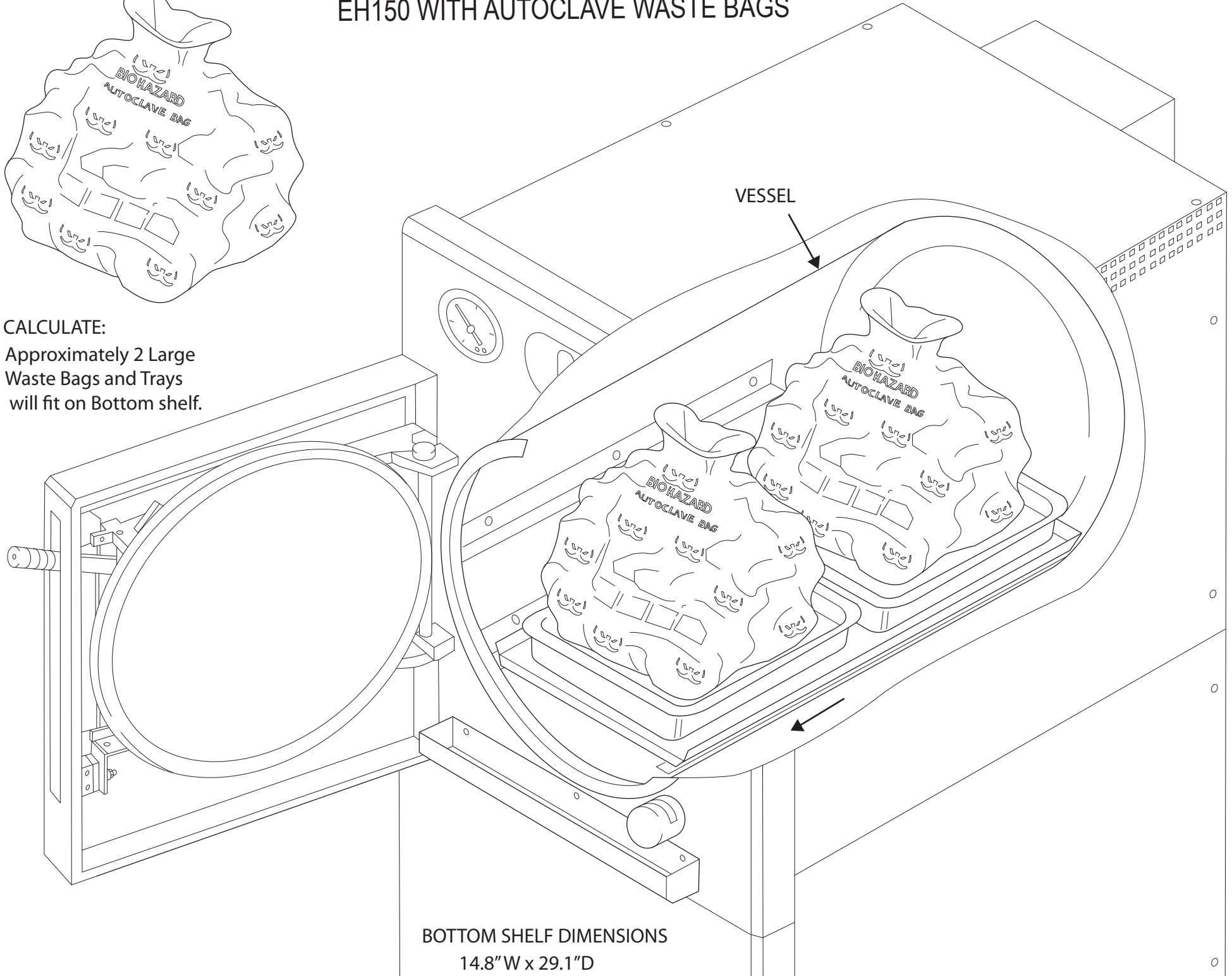


BOTTOM SHELF DIMENSIONS
14.8"W x 29.1"D

EH150 WITH AUTOCLAVE WASTE BAGS



CALCULATE:
Approximately 2 Large
Waste Bags and Trays
will fit on Bottom shelf.

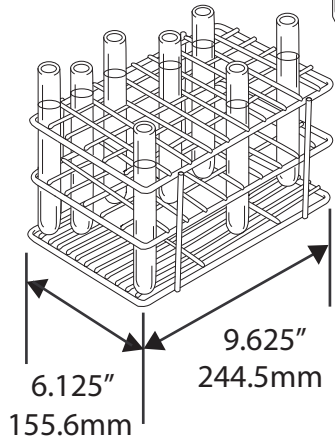


BOTTOM SHELF DIMENSIONS
14.8"W x 29.1"D

EH150 WITH TEST TUBE RACKS

Typical Rack Size
Holds 60 Tubes

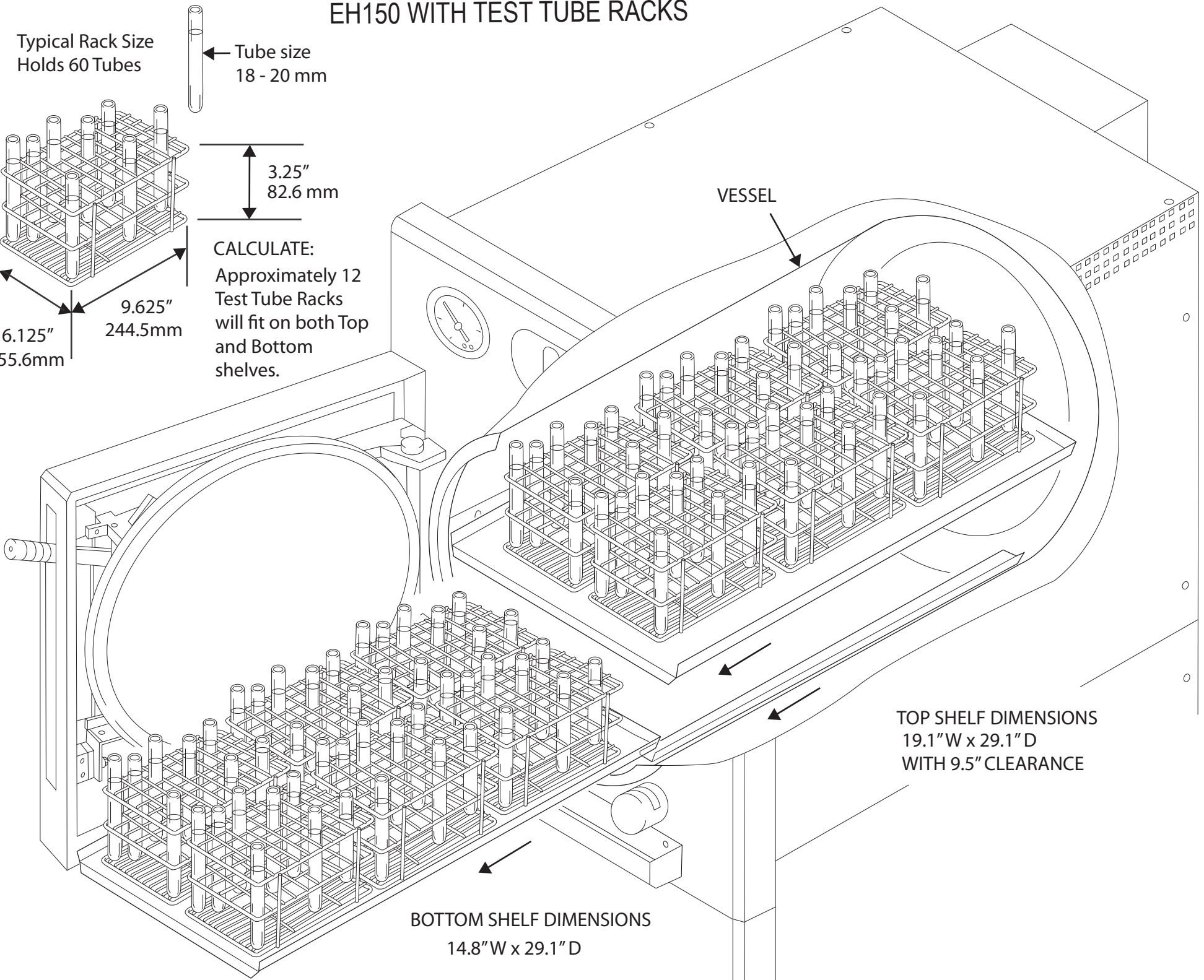
← Tube size
18 - 20 mm



3.25"
82.6 mm

CALCULATE:
Approximately 12
Test Tube Racks
will fit on both Top
and Bottom
shelves.

← VESSEL



TOP SHELF DIMENSIONS
19.1" W x 29.1" D
WITH 9.5" CLEARANCE

BOTTOM SHELF DIMENSIONS
14.8" W x 29.1" D