

EH200 OUTSIDE DIMENSIONS

TOP SHELF DIMENSIONS

19.1" W x 40.2" D
with 9.5" clearance

28.9"
735mm

53.2"
1350mm

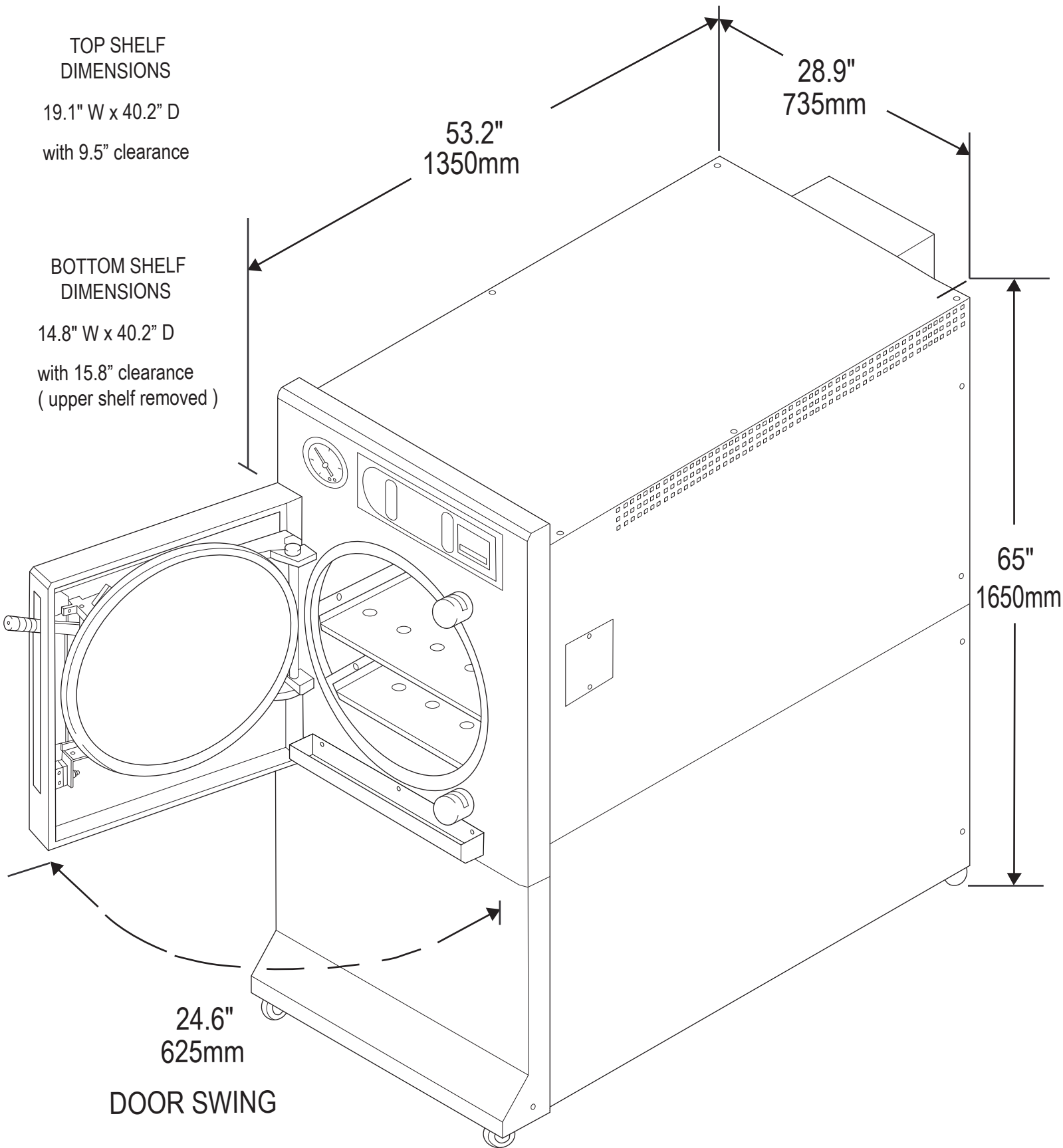
BOTTOM SHELF DIMENSIONS

14.8" W x 40.2" D
with 15.8" clearance
(upper shelf removed)

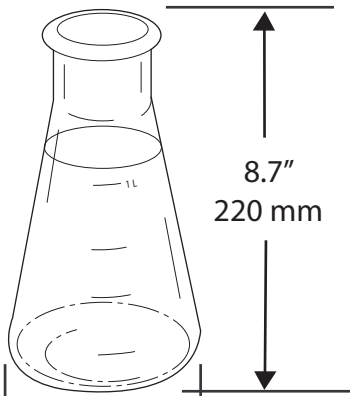
65"
1650mm

24.6"
625mm

DOOR SWING



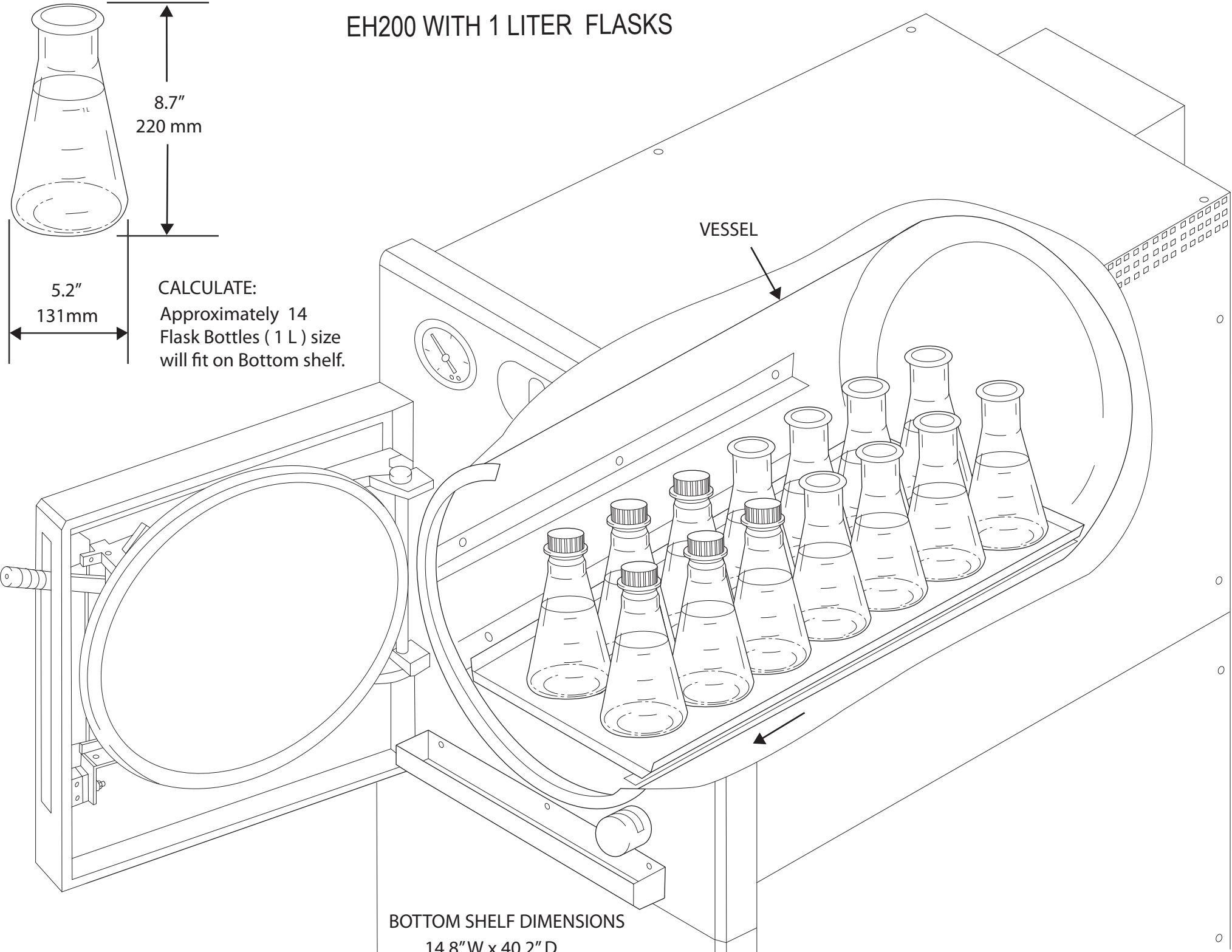
EH200 WITH 1 LITER FLASKS



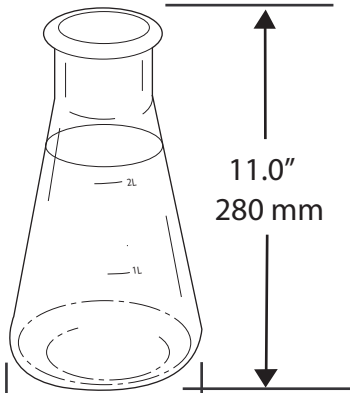
CALCULATE:
Approximately 14
Flask Bottles (1 L) size
will fit on Bottom shelf.

VESSEL

BOTTOM SHELF DIMENSIONS
14.8" W x 40.2" D



EH200 WITH 2 LITER FLASKS

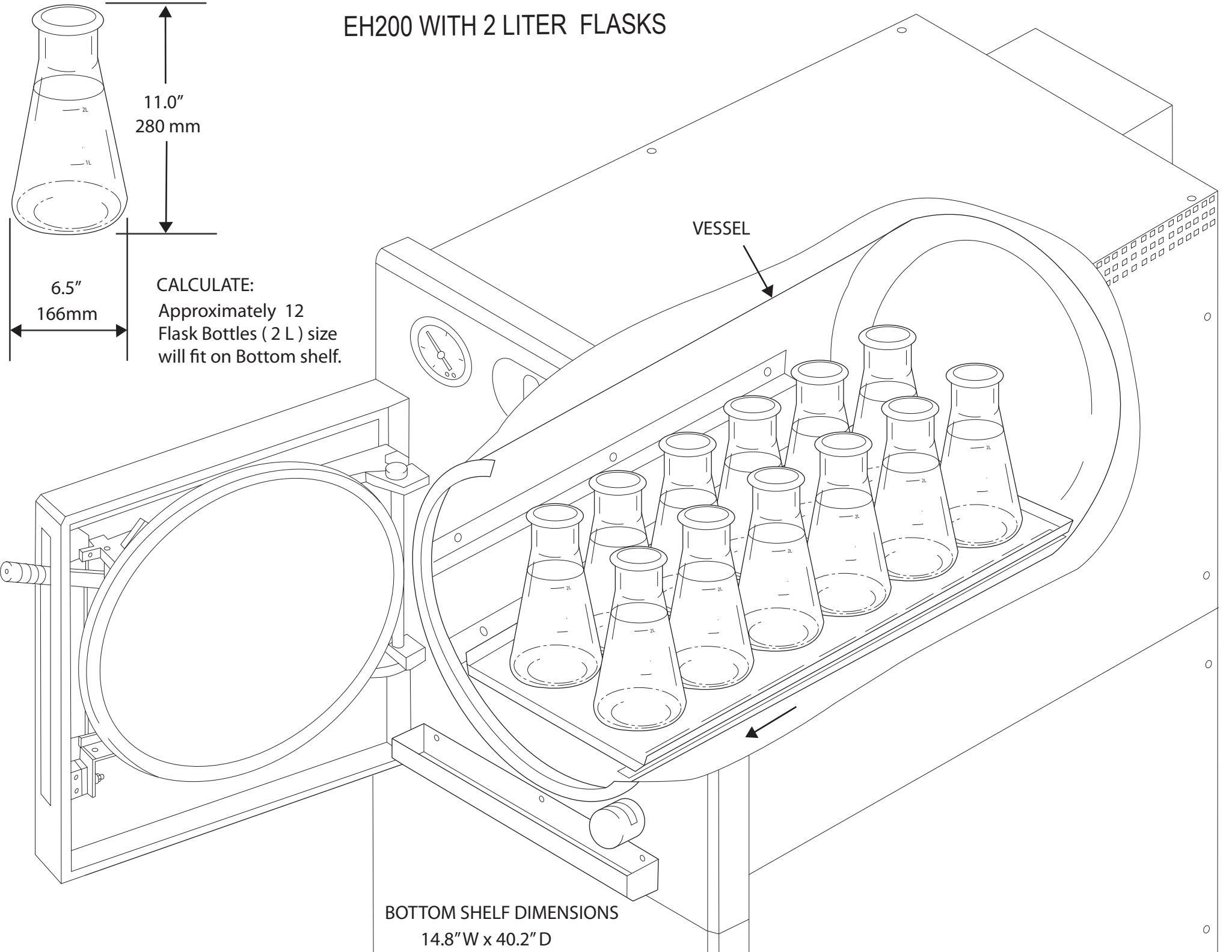


11.0"
280 mm

6.5"
166mm

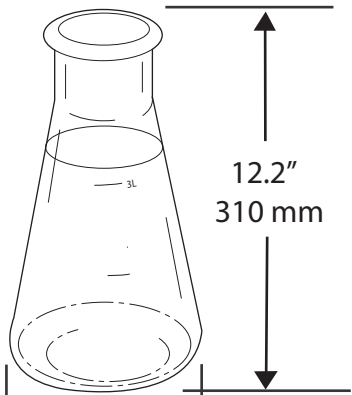
CALCULATE:
Approximately 12
Flask Bottles (2 L) size
will fit on Bottom shelf.

VESSEL



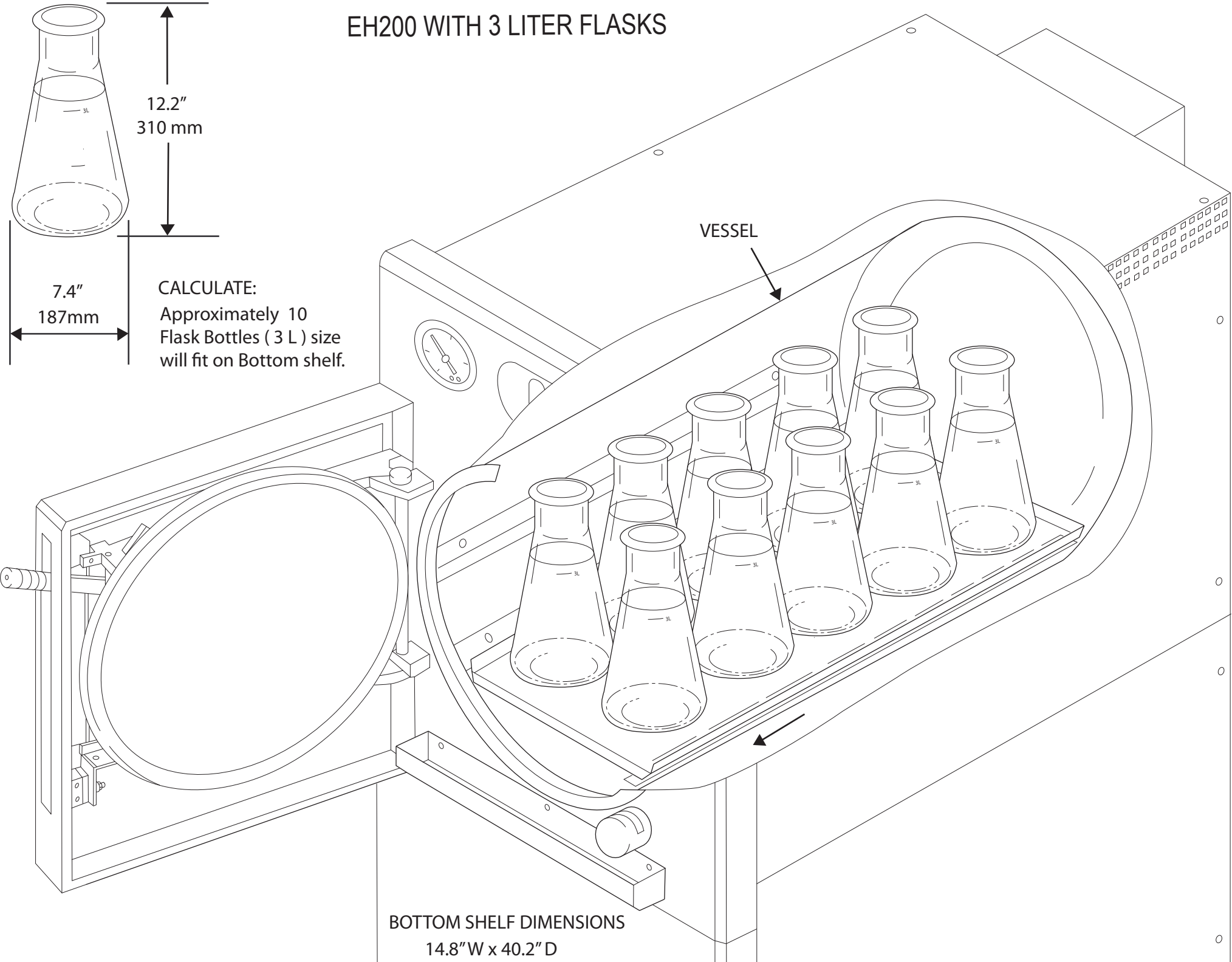
BOTTOM SHELF DIMENSIONS
14.8" W x 40.2" D

EH200 WITH 3 LITER FLASKS



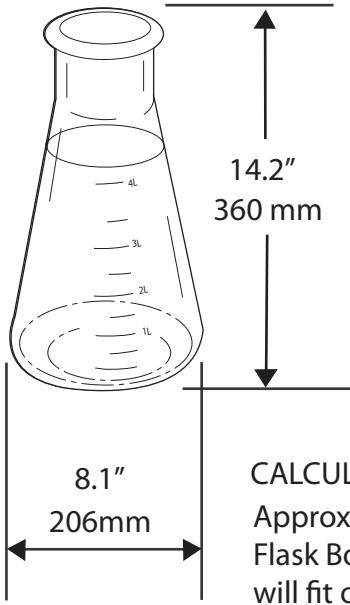
CALCULATE:
Approximately 10
Flask Bottles (3 L) size
will fit on Bottom shelf.

VESSEL



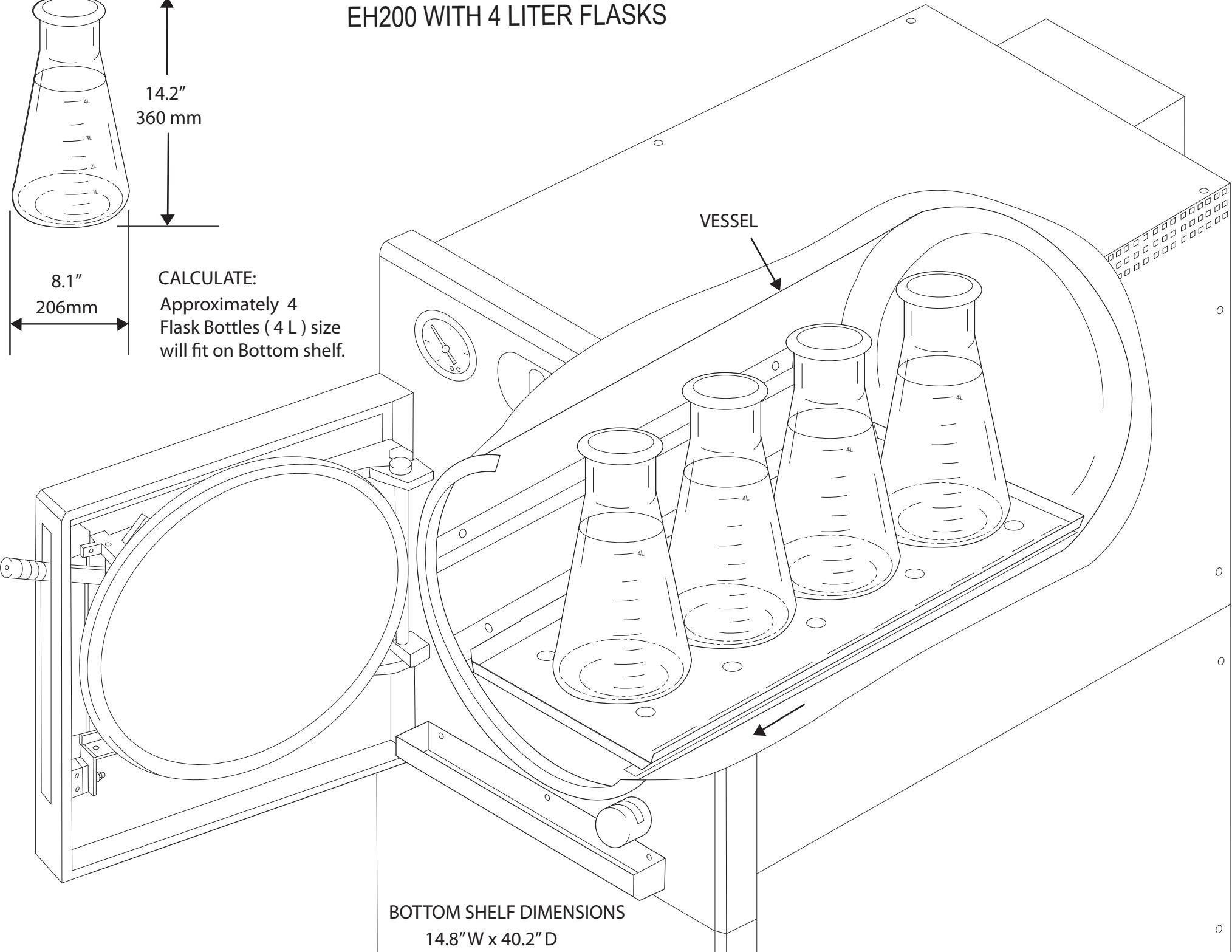
BOTTOM SHELF DIMENSIONS
14.8" W x 40.2" D

EH200 WITH 4 LITER FLASKS



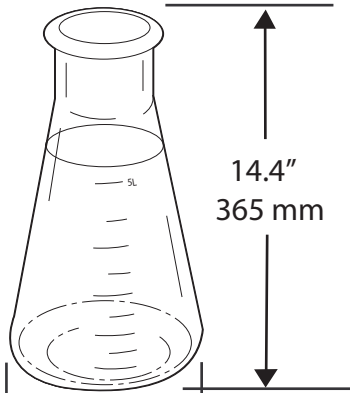
CALCULATE:
Approximately 4
Flask Bottles (4 L) size
will fit on Bottom shelf.

VESSEL



BOTTOM SHELF DIMENSIONS
14.8"W x 40.2" D

EH200 WITH 5 LITER FLASKS

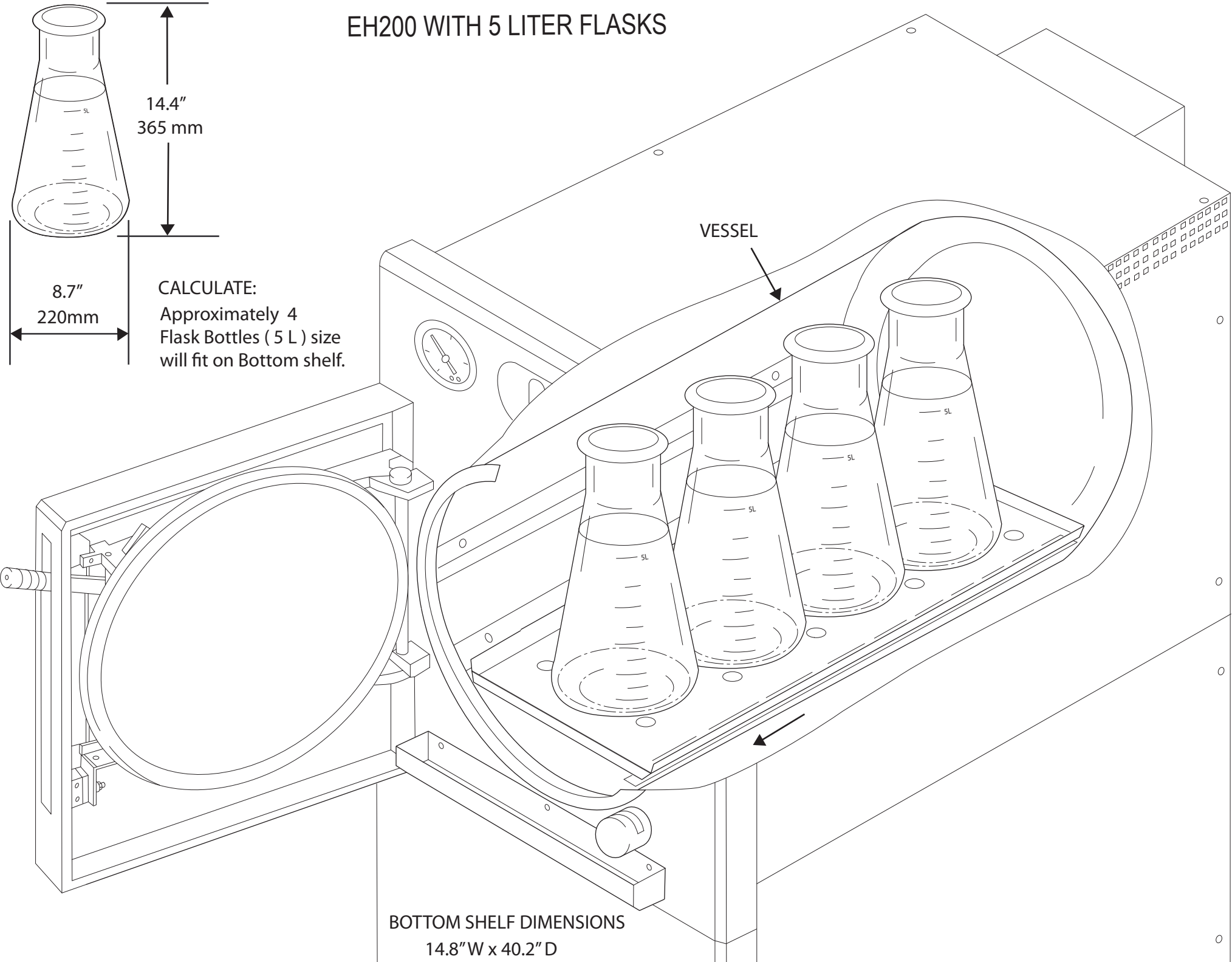


14.4"
365 mm

8.7"
220mm

CALCULATE:
Approximately 4
Flask Bottles (5 L) size
will fit on Bottom shelf.

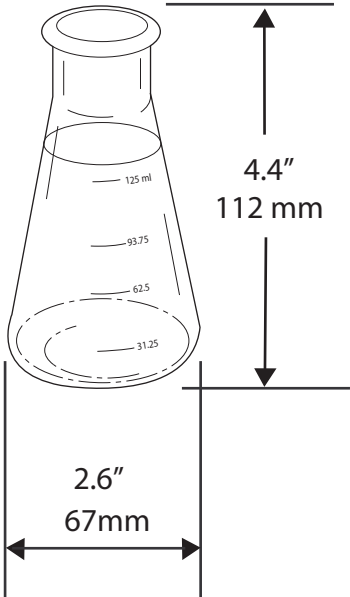
VESSEL



BOTTOM SHELF DIMENSIONS
14.8" W x 40.2" D

EH200 WITH 125mL FLASKS

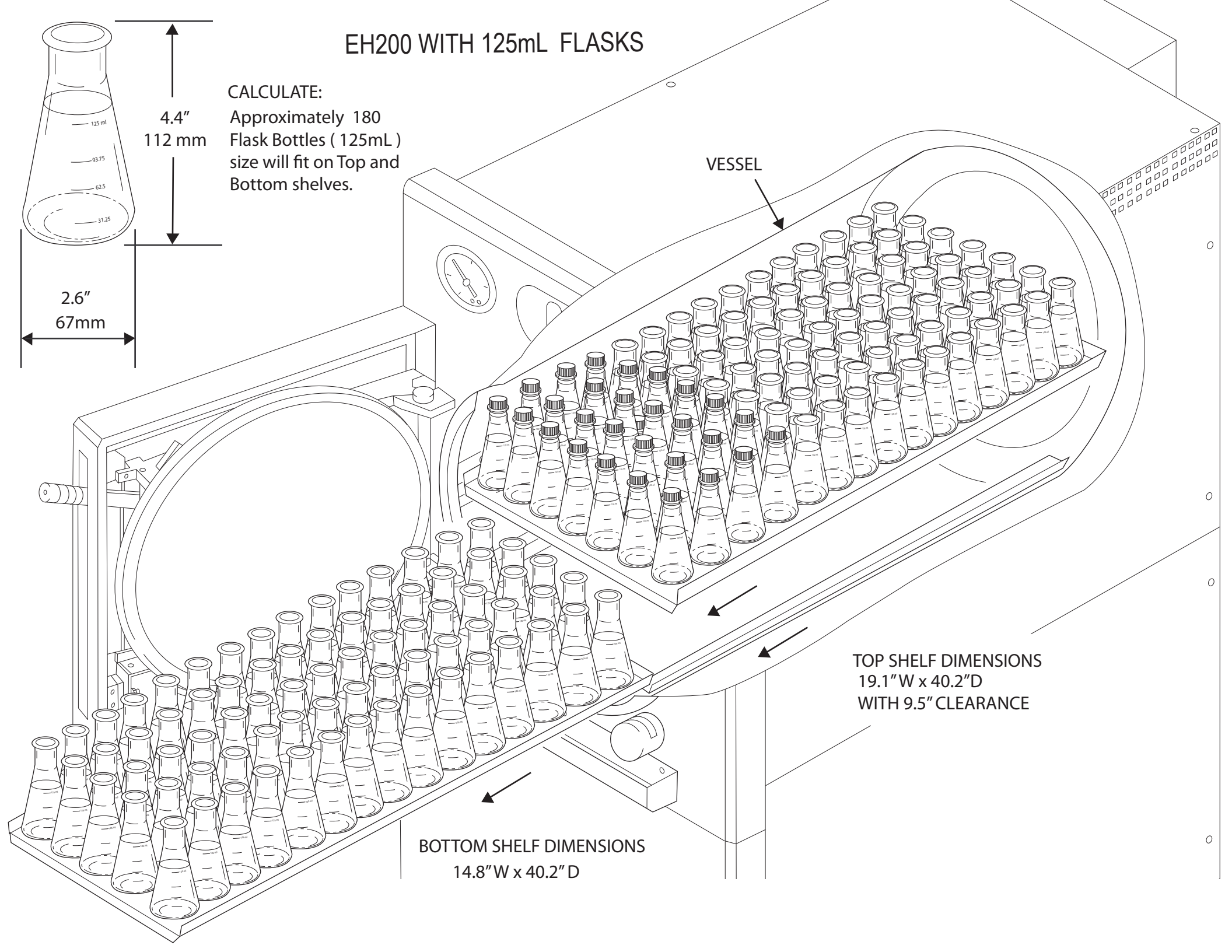
CALCULATE:
Approximately 180
Flask Bottles (125mL)
size will fit on Top and
Bottom shelves.



VESSEL

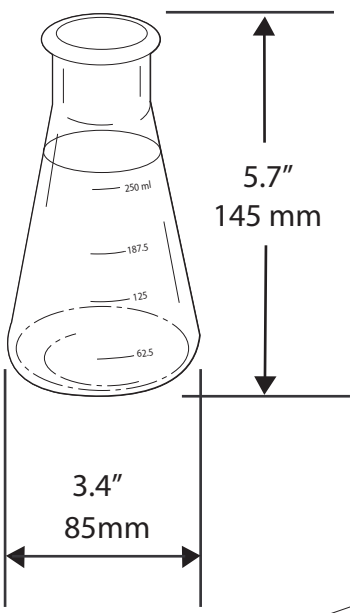
TOP SHELF DIMENSIONS
19.1" W x 40.2" D
WITH 9.5" CLEARANCE

BOTTOM SHELF DIMENSIONS
14.8" W x 40.2" D



EH200 WITH 250mL FLASKS

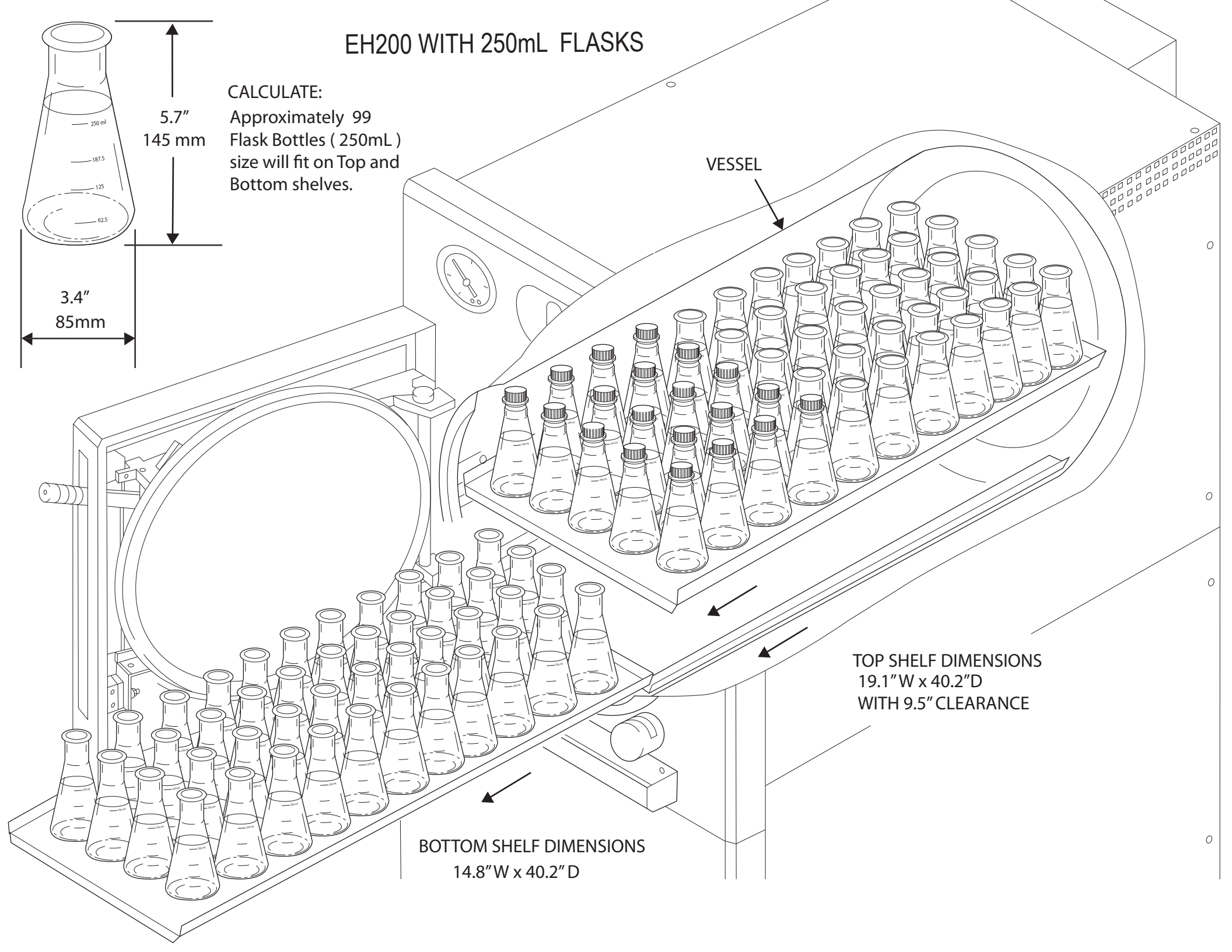
CALCULATE:
Approximately 99
Flask Bottles (250mL)
size will fit on Top and
Bottom shelves.



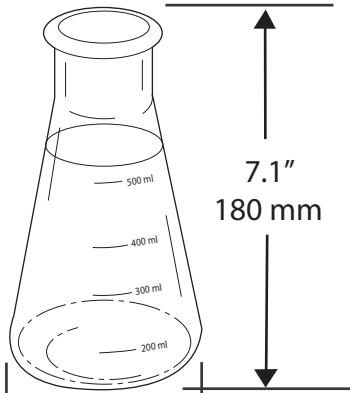
VESSEL

TOP SHELF DIMENSIONS
19.1" W x 40.2" D
WITH 9.5" CLEARANCE

BOTTOM SHELF DIMENSIONS
14.8" W x 40.2" D

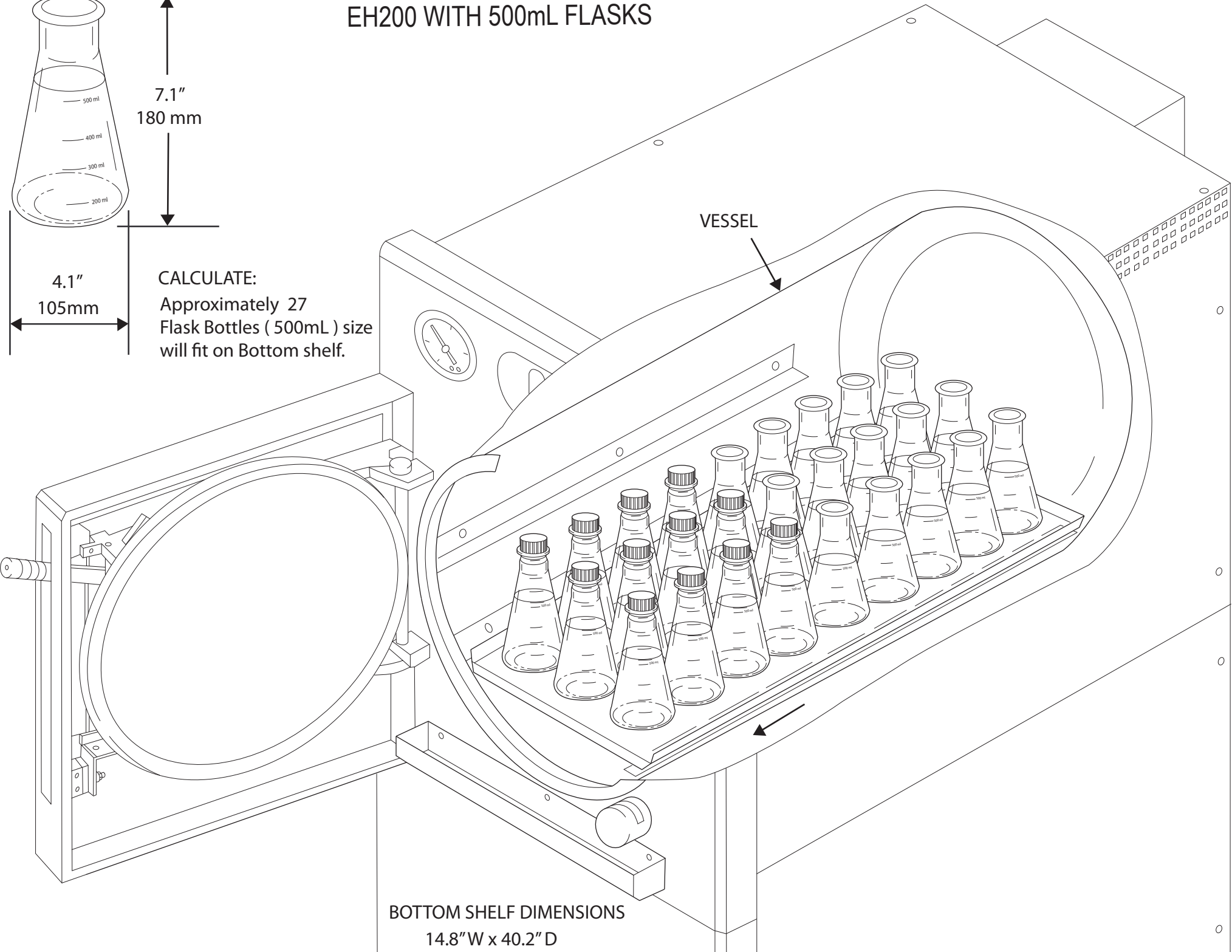


EH200 WITH 500mL FLASKS



CALCULATE:
Approximately 27
Flask Bottles (500mL) size
will fit on Bottom shelf.

VESSEL



BOTTOM SHELF DIMENSIONS
14.8" W x 40.2" D

EH200 WITH AUTOCLAVE WASTE BAGS AND HOLDERS

Bag size measures 8.5" x 11.8"
215 x 300mm

Holder
measures
91 x 128
x 214mm

8.4"
214mm

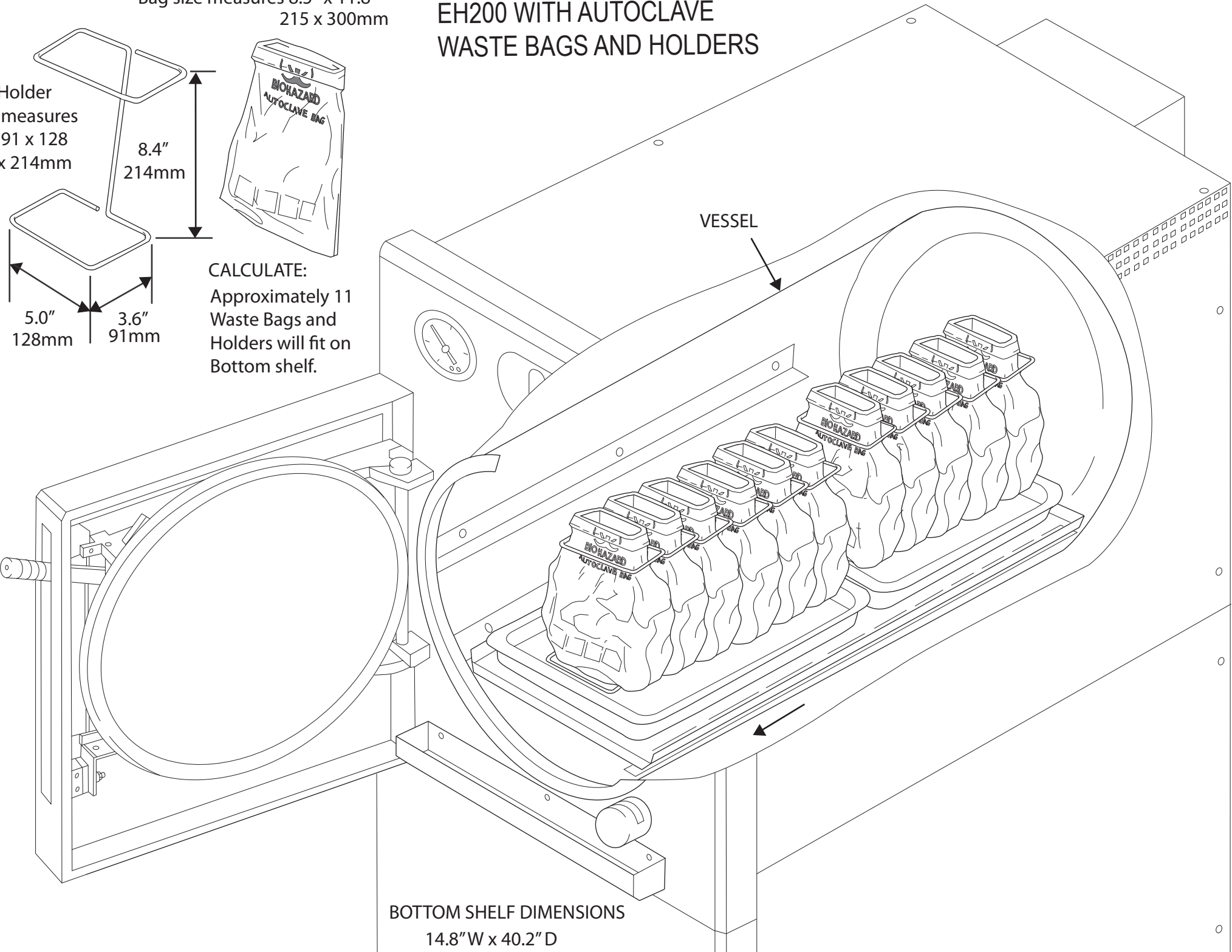
5.0"
128mm

3.6"
91mm

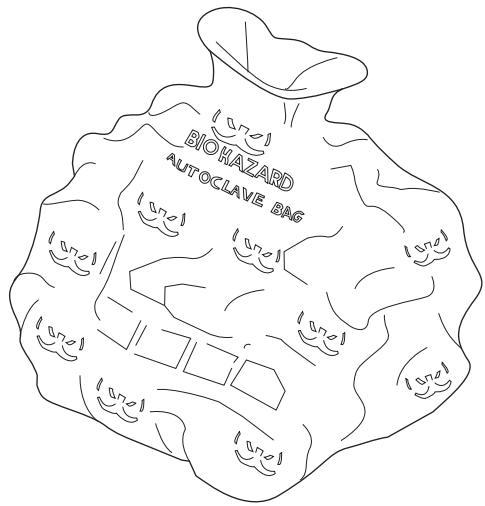
CALCULATE:
Approximately 11
Waste Bags and
Holders will fit on
Bottom shelf.

VESSEL

BOTTOM SHELF DIMENSIONS
14.8"W x 40.2" D

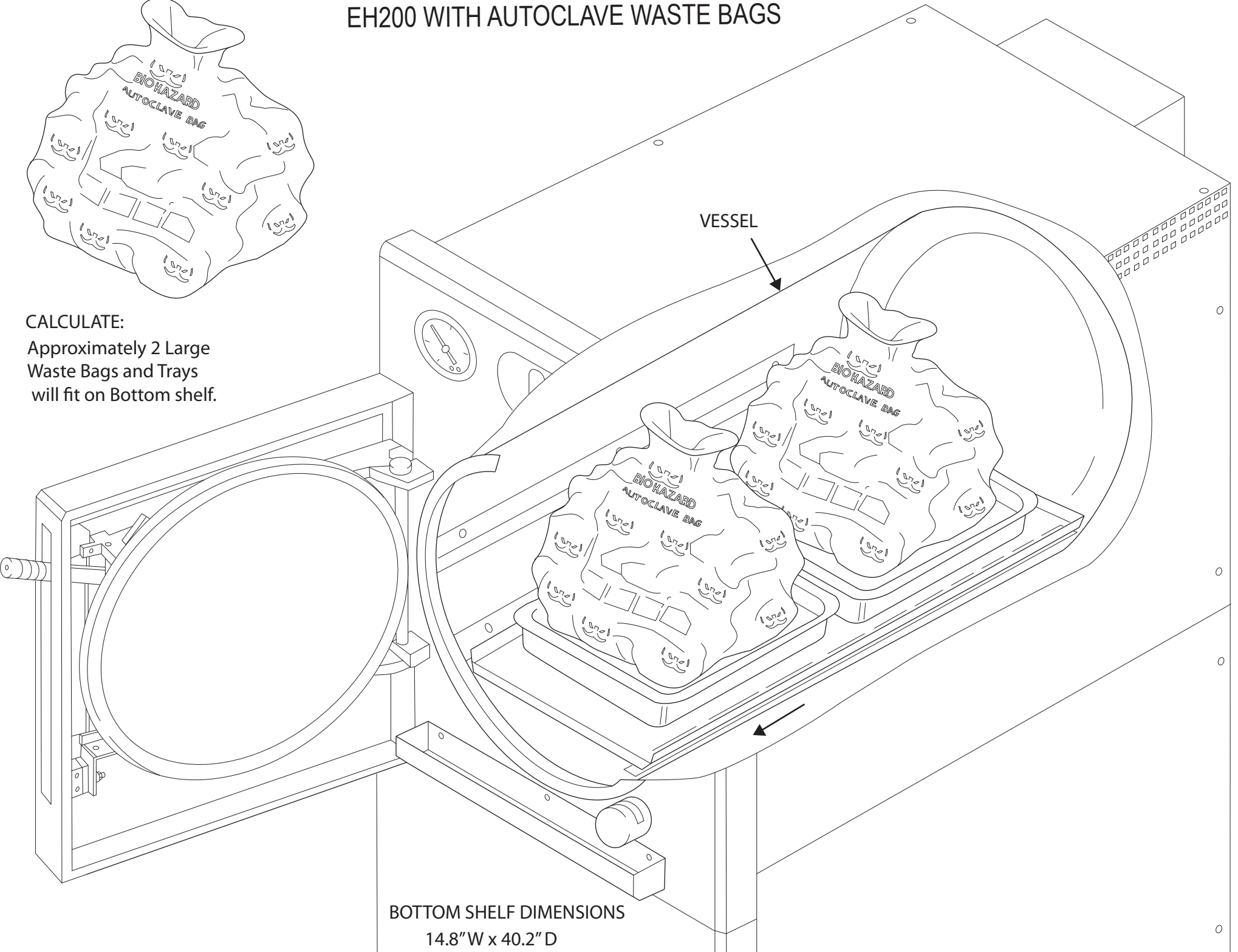


EH200 WITH AUTOCLAVE WASTE BAGS



CALCULATE:
Approximately 2 Large
Waste Bags and Trays
will fit on Bottom shelf.

VESSEL



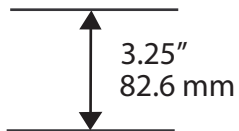
BOTTOM SHELF DIMENSIONS
14.8" W x 40.2" D

EH200 WITH TEST TUBE RACKS

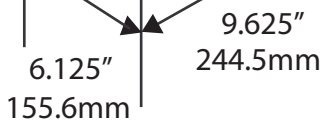
Typical Rack Size
Holds 60 Tubes



← Tube size
18 - 20 mm



CALCULATE:
Approximately 16 Test
Tube Racks will fit on
both Top and Bottom
shelves.



VESSEL

TOP SHELF DIMENSIONS
19.1" W x 40.2" D
WITH 9.5" CLEARANCE

BOTTOM SHELF DIMENSIONS
14.8" W x 40.2" D

