

EH320 OUTSIDE DIMENSIONS

TOP SHELF DIMENSIONS

24.4" W x 40.2" D
with 12.3" clearance

50.4"
1280mm

29.9"
760mm

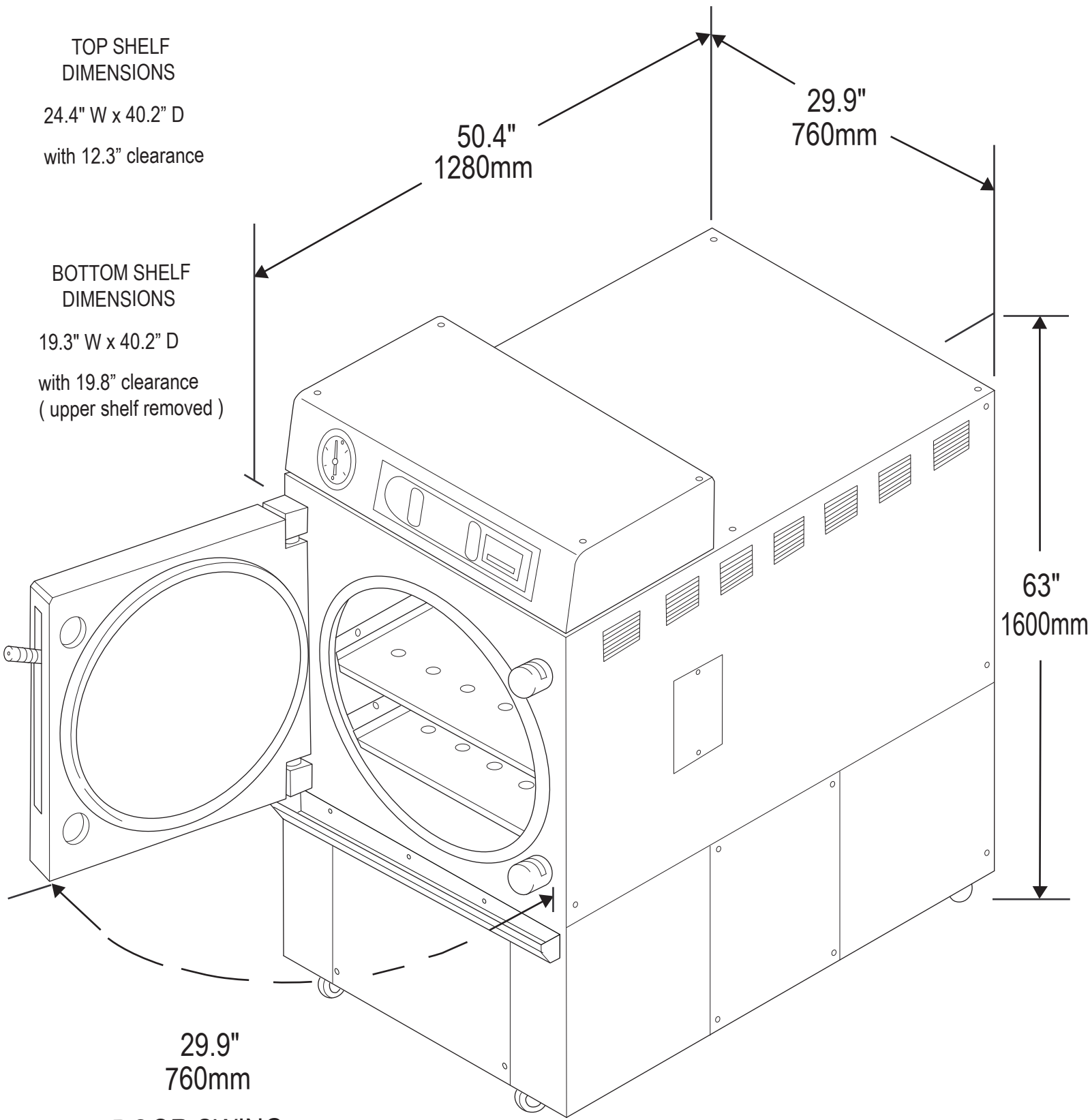
BOTTOM SHELF DIMENSIONS

19.3" W x 40.2" D
with 19.8" clearance
(upper shelf removed)

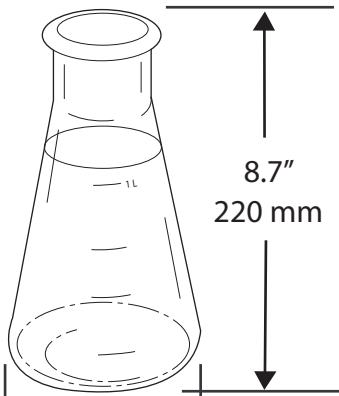
63"
1600mm

29.9"
760mm

DOOR SWING

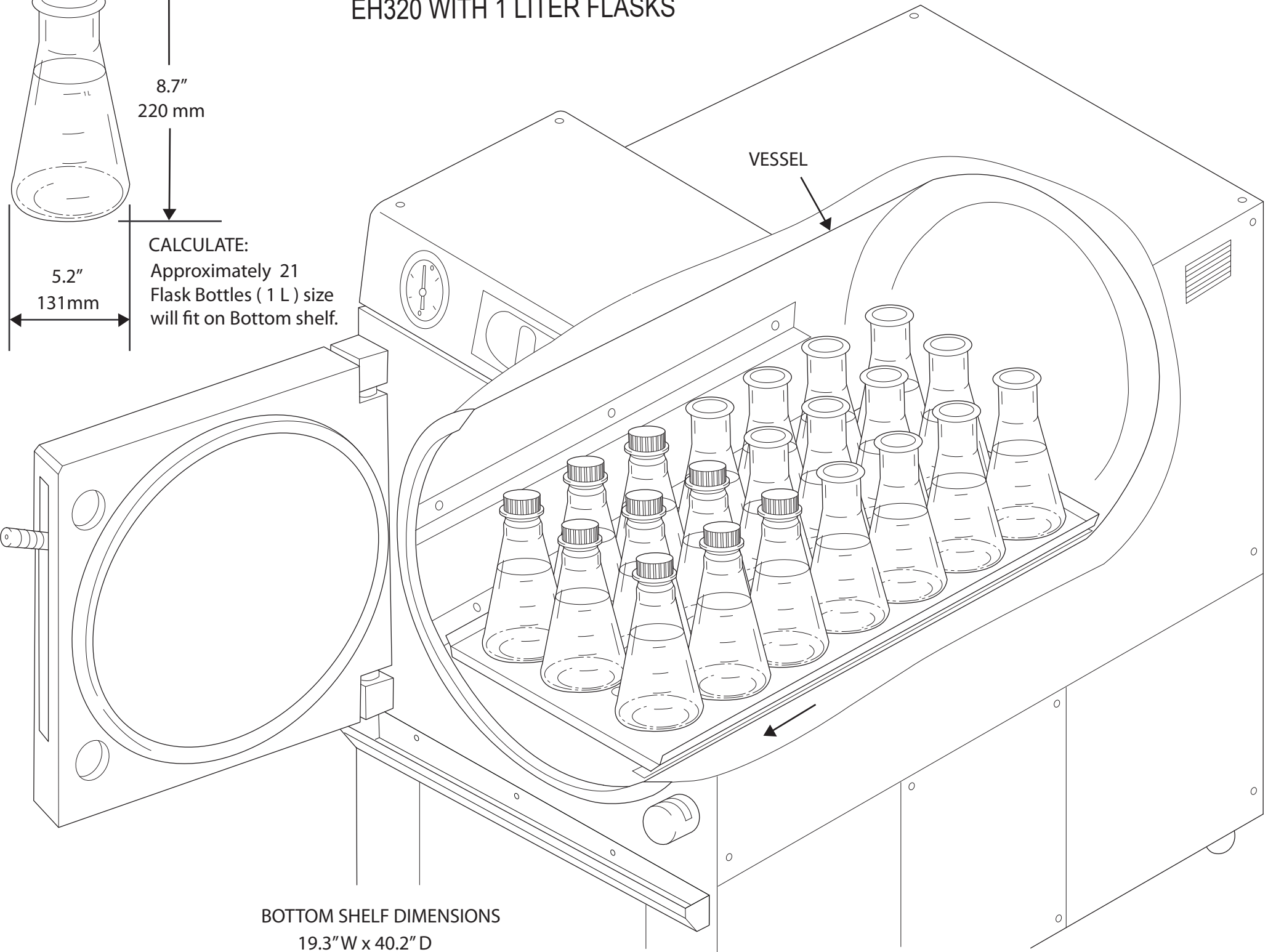


EH320 WITH 1 LITER FLASKS



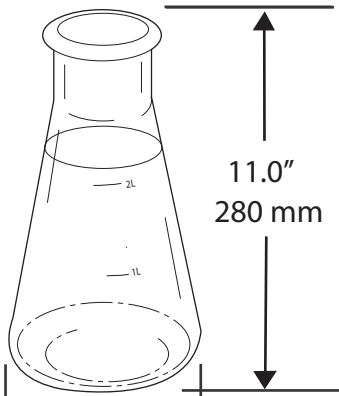
CALCULATE:
Approximately 21
Flask Bottles (1 L) size
will fit on Bottom shelf.

VESSEL



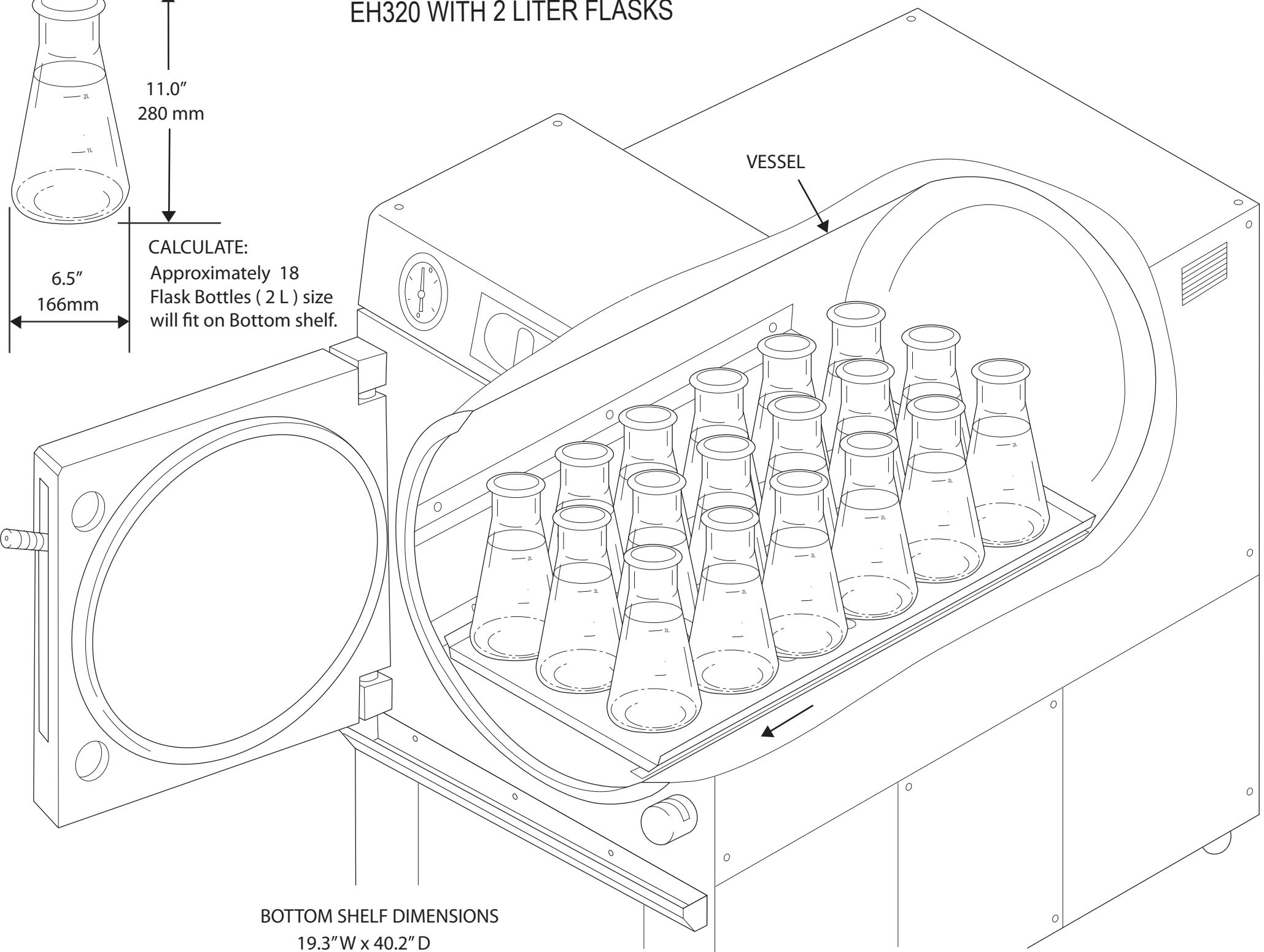
BOTTOM SHELF DIMENSIONS
19.3" W x 40.2" D

EH320 WITH 2 LITER FLASKS



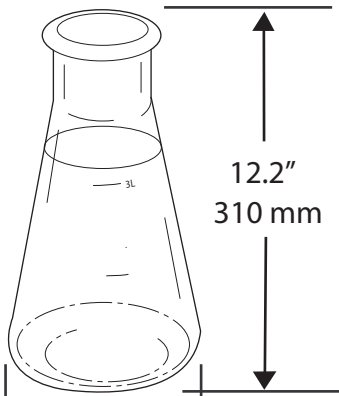
CALCULATE:
Approximately 18
Flask Bottles (2 L) size
will fit on Bottom shelf.

VESSEL



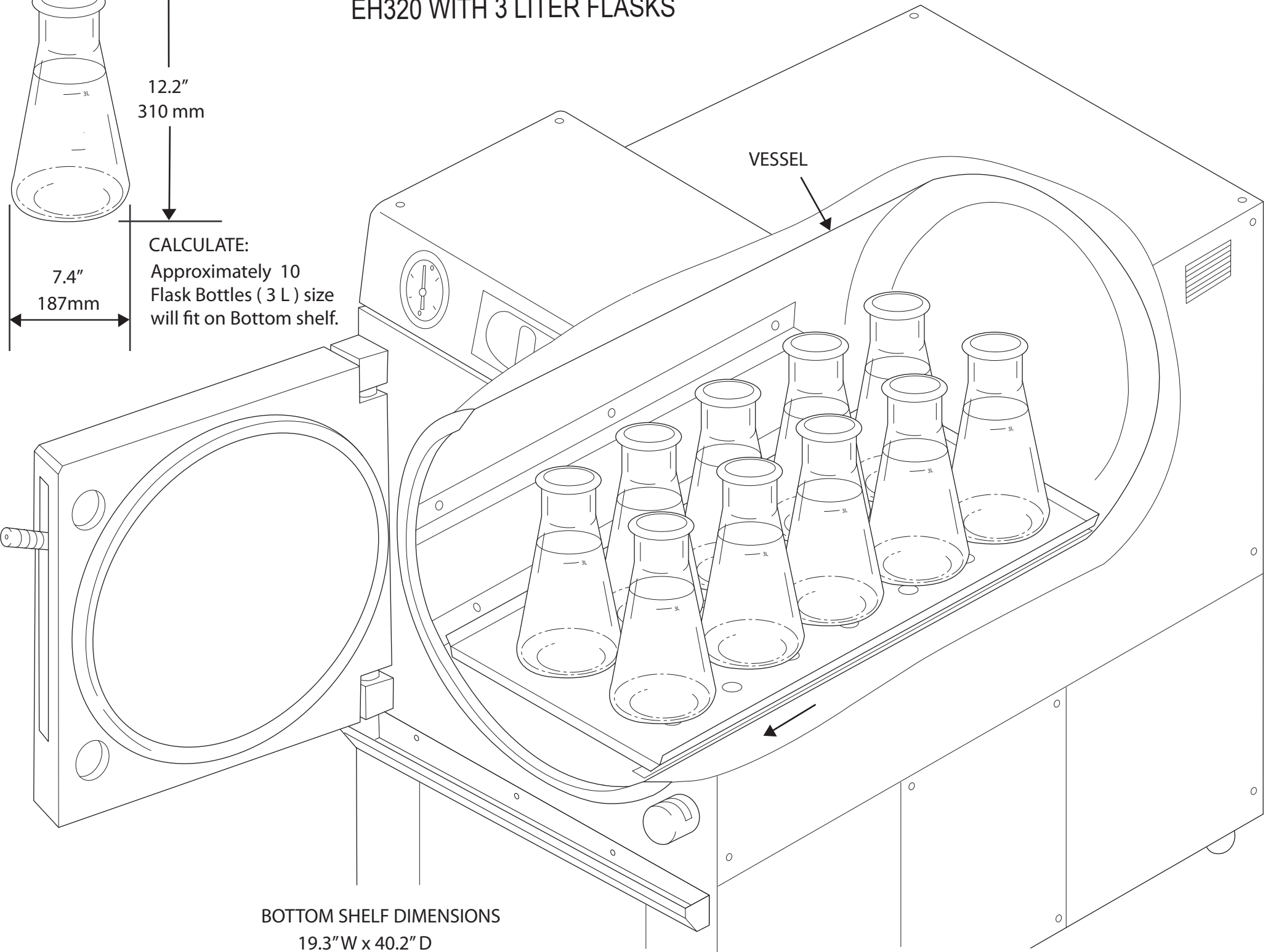
BOTTOM SHELF DIMENSIONS
19.3"W x 40.2" D

EH320 WITH 3 LITER FLASKS



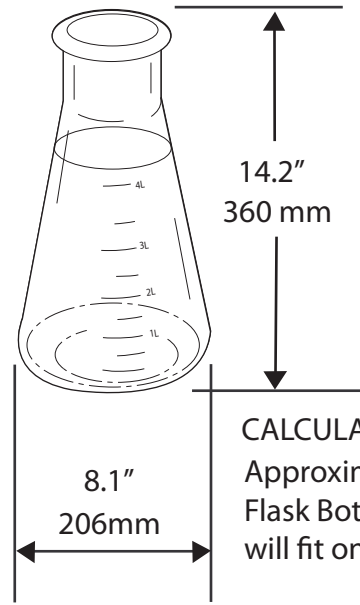
CALCULATE:
Approximately 10
Flask Bottles (3 L) size
will fit on Bottom shelf.

VESSEL



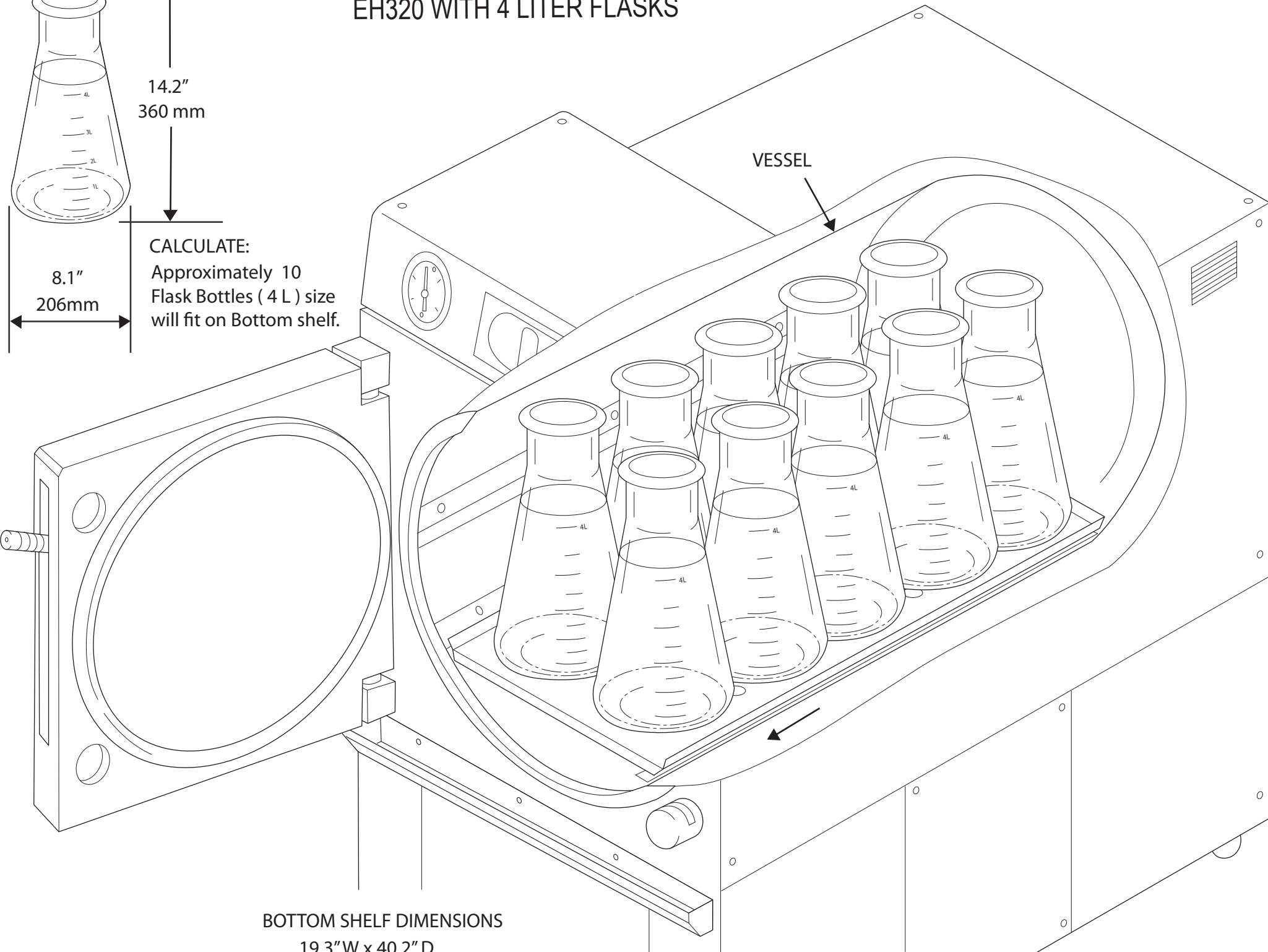
BOTTOM SHELF DIMENSIONS
19.3" W x 40.2" D

EH320 WITH 4 LITER FLASKS



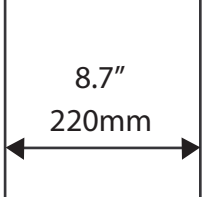
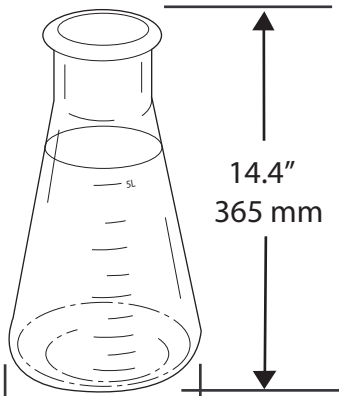
CALCULATE:
Approximately 10
Flask Bottles (4 L) size
will fit on Bottom shelf.

VESSEL



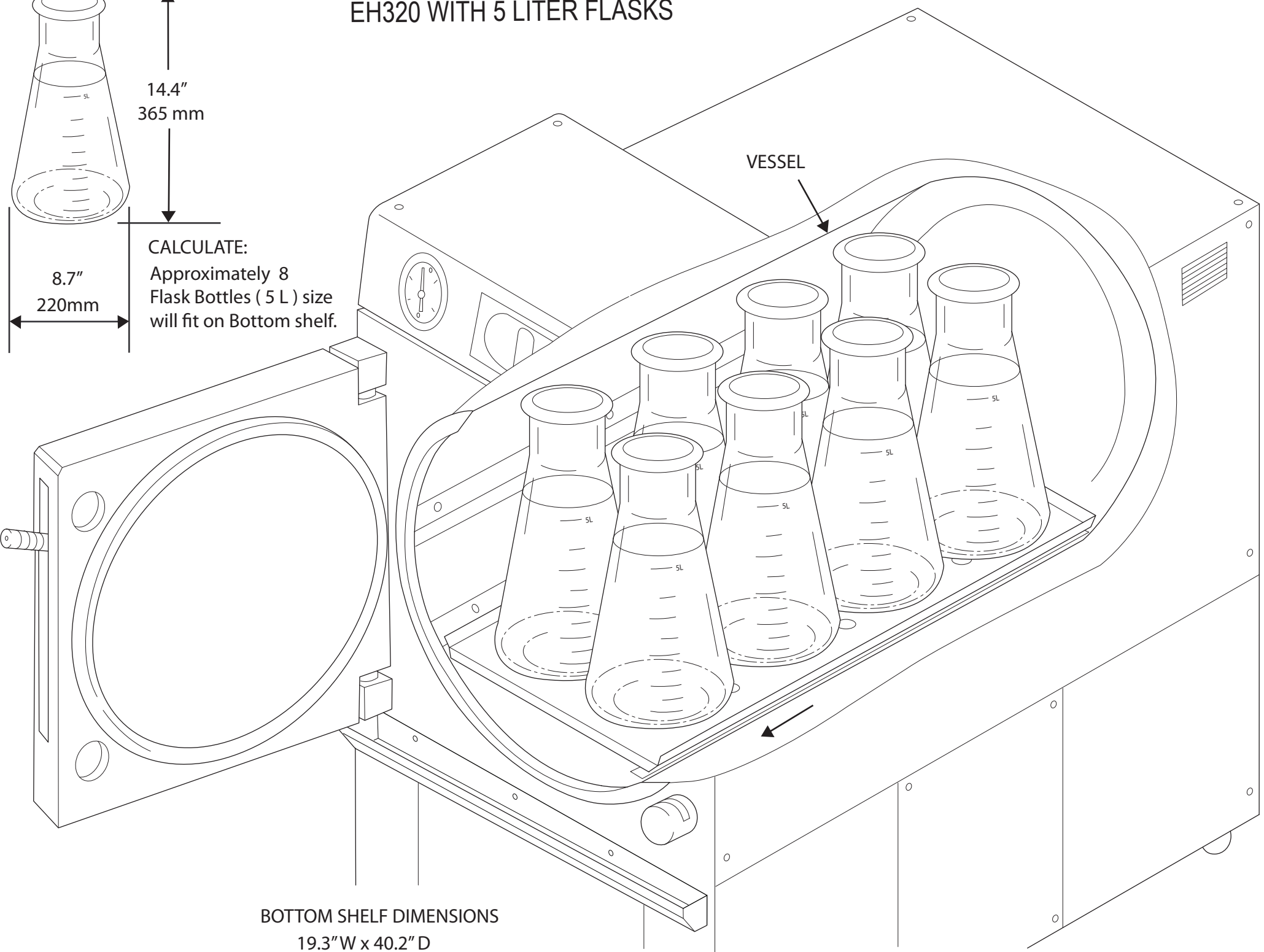
BOTTOM SHELF DIMENSIONS
19.3"W x 40.2" D

EH320 WITH 5 LITER FLASKS



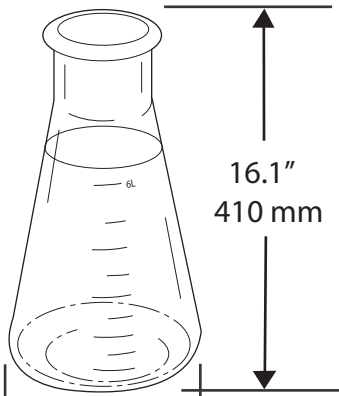
CALCULATE:
Approximately 8
Flask Bottles (5 L) size
will fit on Bottom shelf.

VESSEL



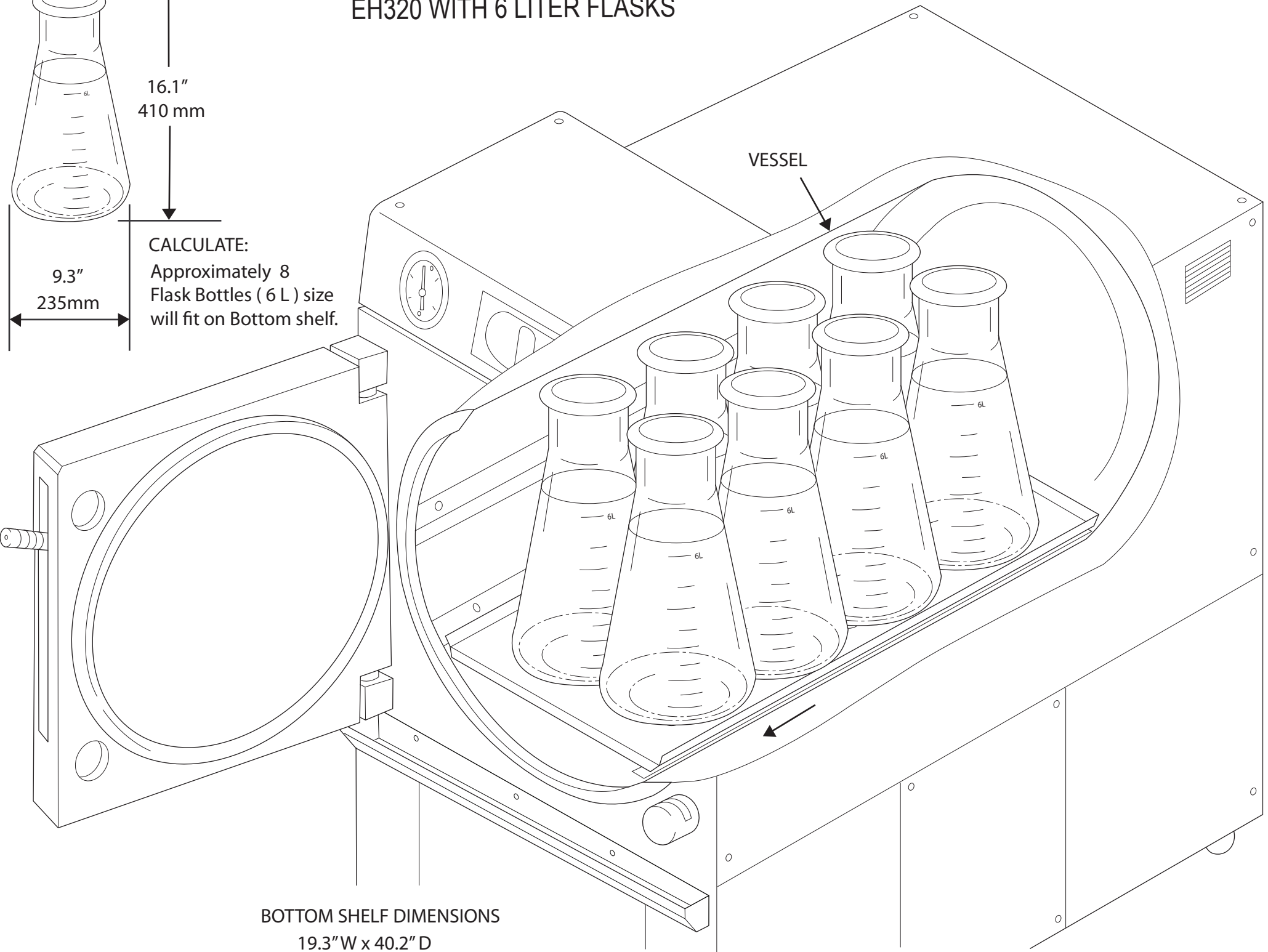
BOTTOM SHELF DIMENSIONS
19.3"W x 40.2" D

EH320 WITH 6 LITER FLASKS



CALCULATE:
Approximately 8
Flask Bottles (6 L) size
will fit on Bottom shelf.

VESSEL



BOTTOM SHELF DIMENSIONS
19.3" W x 40.2" D

EH320 WITH 125mL FLASKS

CALCULATE:

Approximately 240
Flask Bottles (125mL)
size will fit on Top and
Bottom shelves.

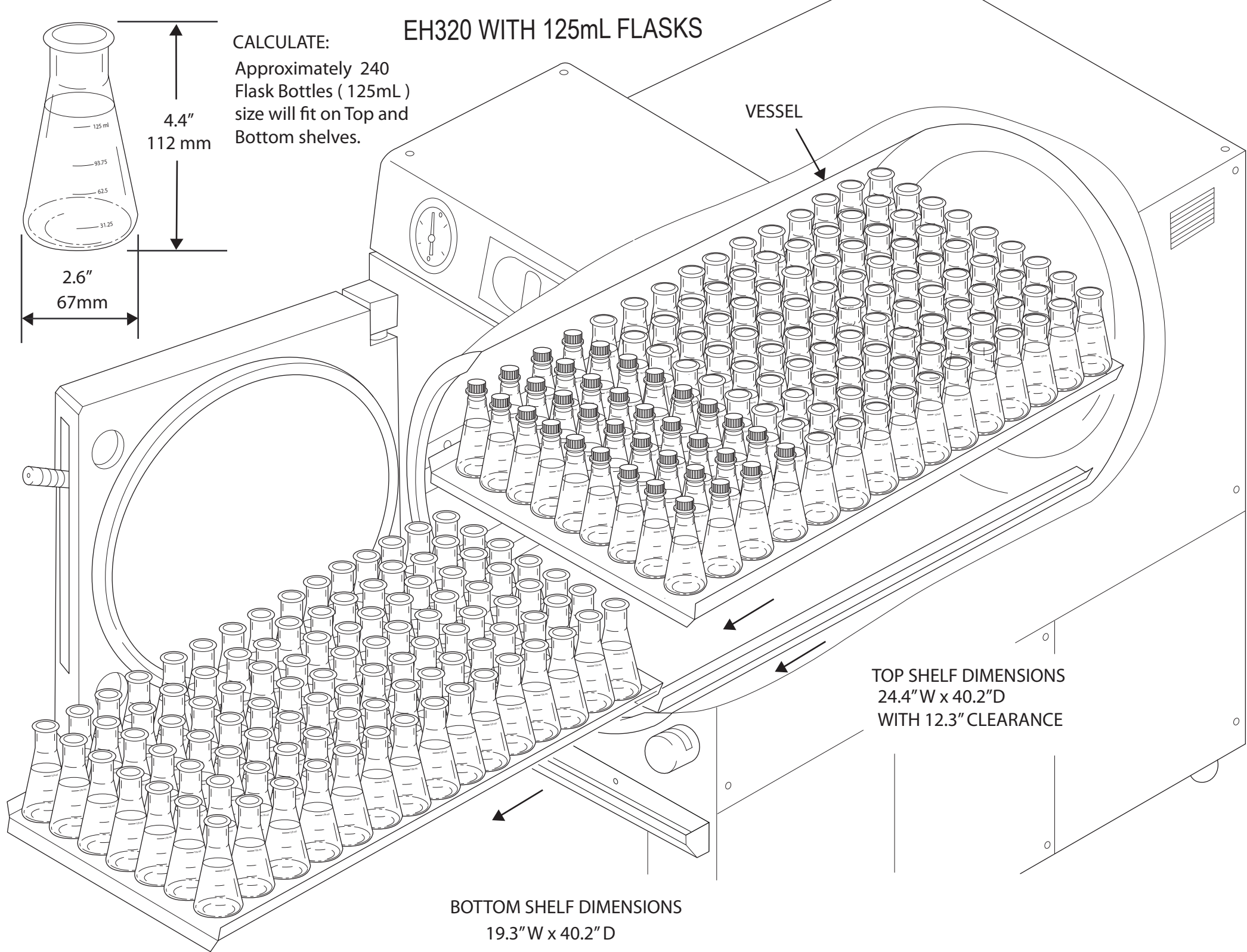
4.4"
112 mm

2.6"
67mm

VESSEL

TOP SHELF DIMENSIONS
24.4" W x 40.2" D
WITH 12.3" CLEARANCE

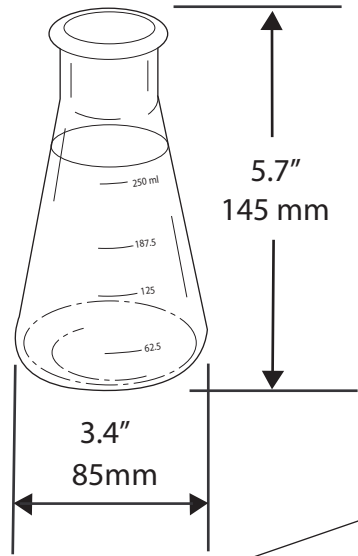
BOTTOM SHELF DIMENSIONS
19.3" W x 40.2" D



EH320 WITH 250mL FLASKS

CALCULATE:

Approximately 132
Flask Bottles (250mL)
size will fit on Top and
Bottom shelves.

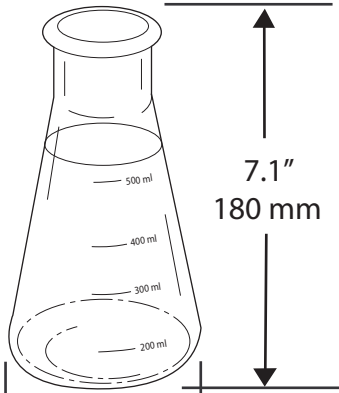


VESSEL

TOP SHELF DIMENSIONS
24.4" W x 40.2" D
WITH 12.3" CLEARANCE

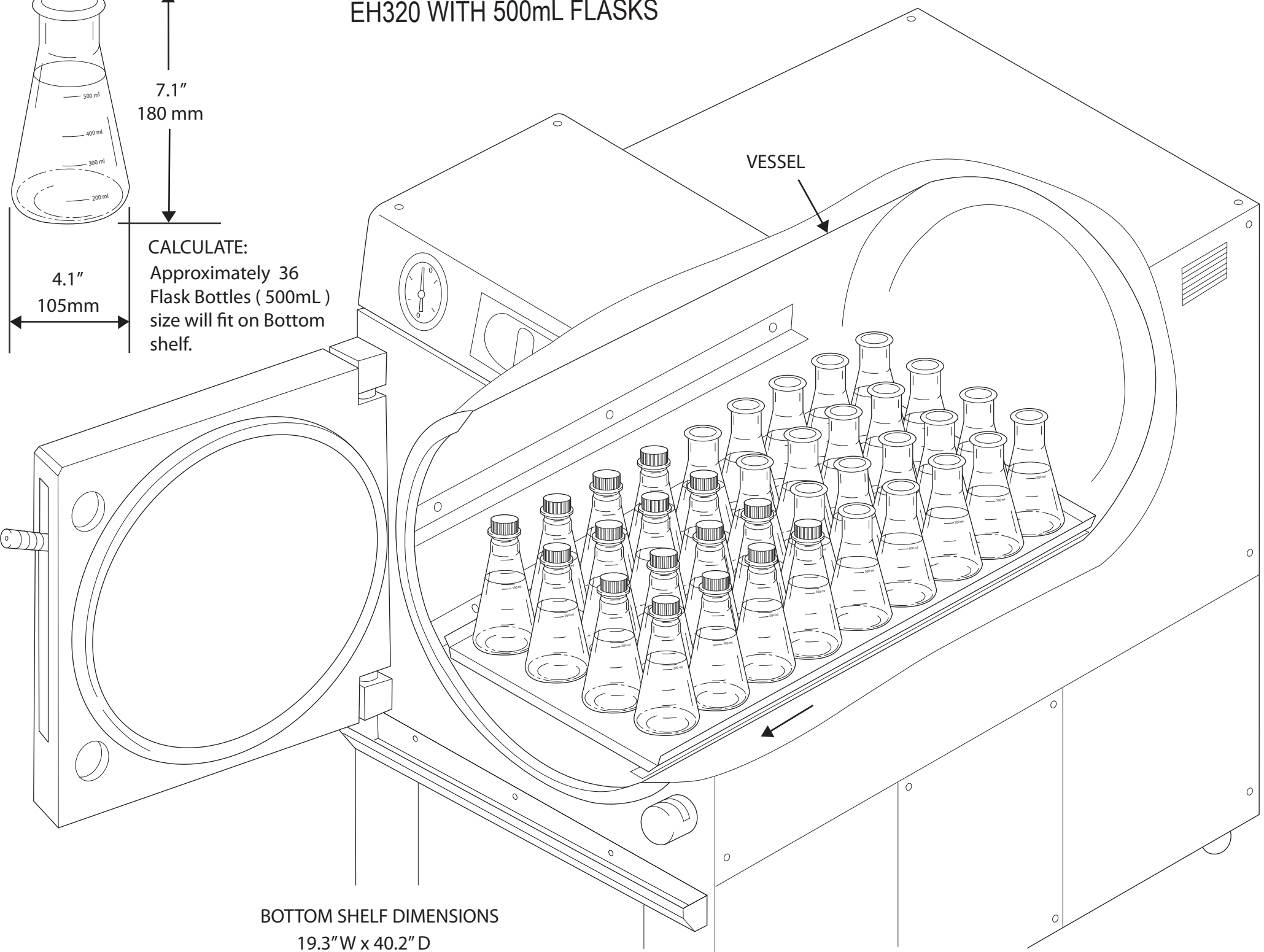
BOTTOM SHELF DIMENSIONS
19.3" W x 40.2" D

EH320 WITH 500mL FLASKS



CALCULATE:
Approximately 36
Flask Bottles (500mL)
size will fit on Bottom
shelf.

VESSEL



BOTTOM SHELF DIMENSIONS
19.3"W x 40.2" D

Bag size measures 8.5" x 11.8"
215 x 300mm

EH320 WITH AUTOCLAVE WASTE BAGS AND HOLDERS

Holder
measures
91 x 128
x 214mm

8.4"
214mm

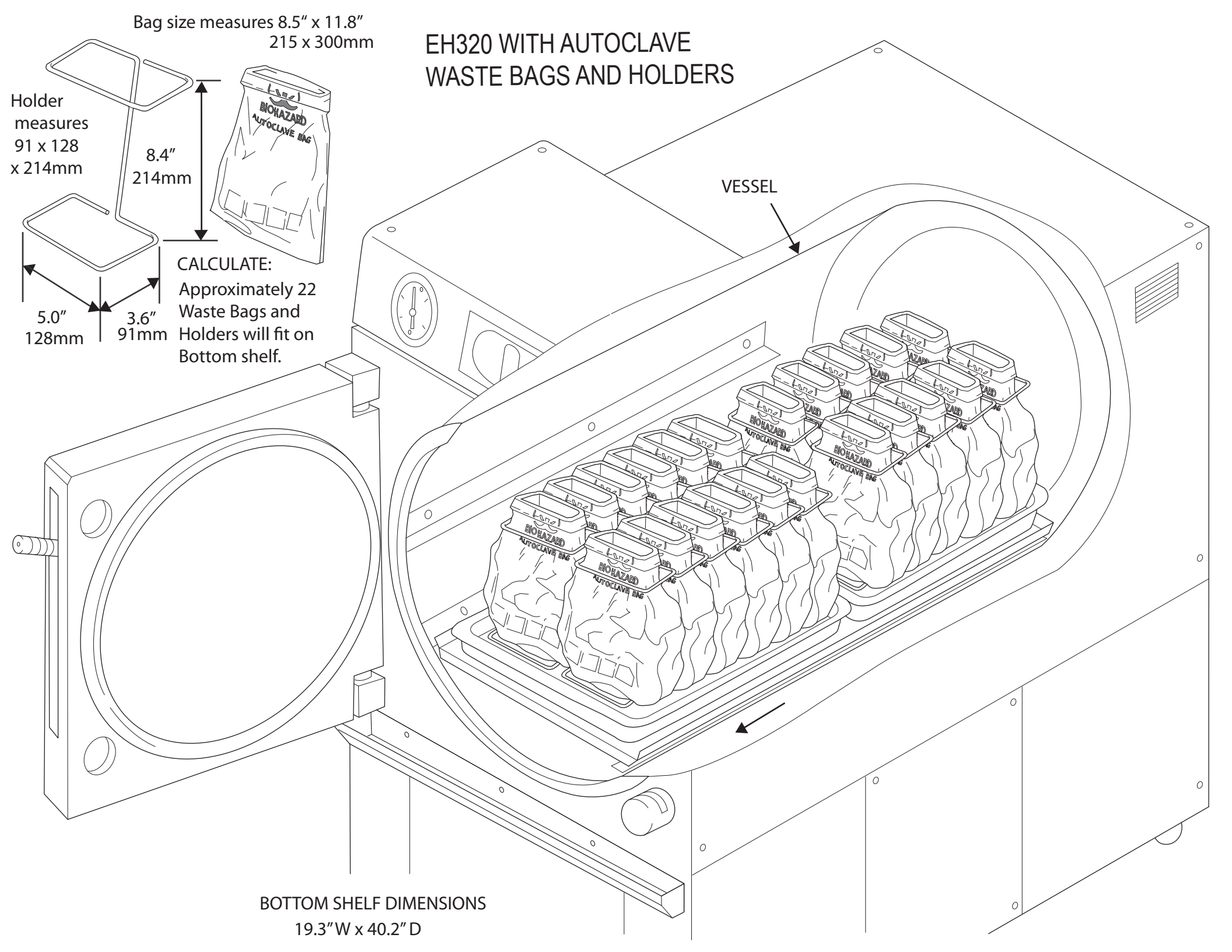
5.0"
128mm

3.6"
91mm

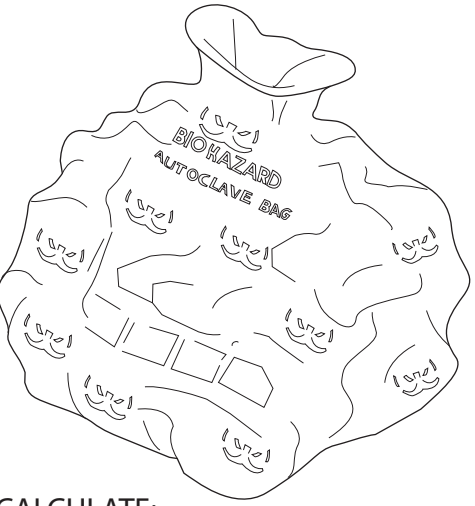
CALCULATE:
Approximately 22
Waste Bags and
Holders will fit on
Bottom shelf.

VESSEL

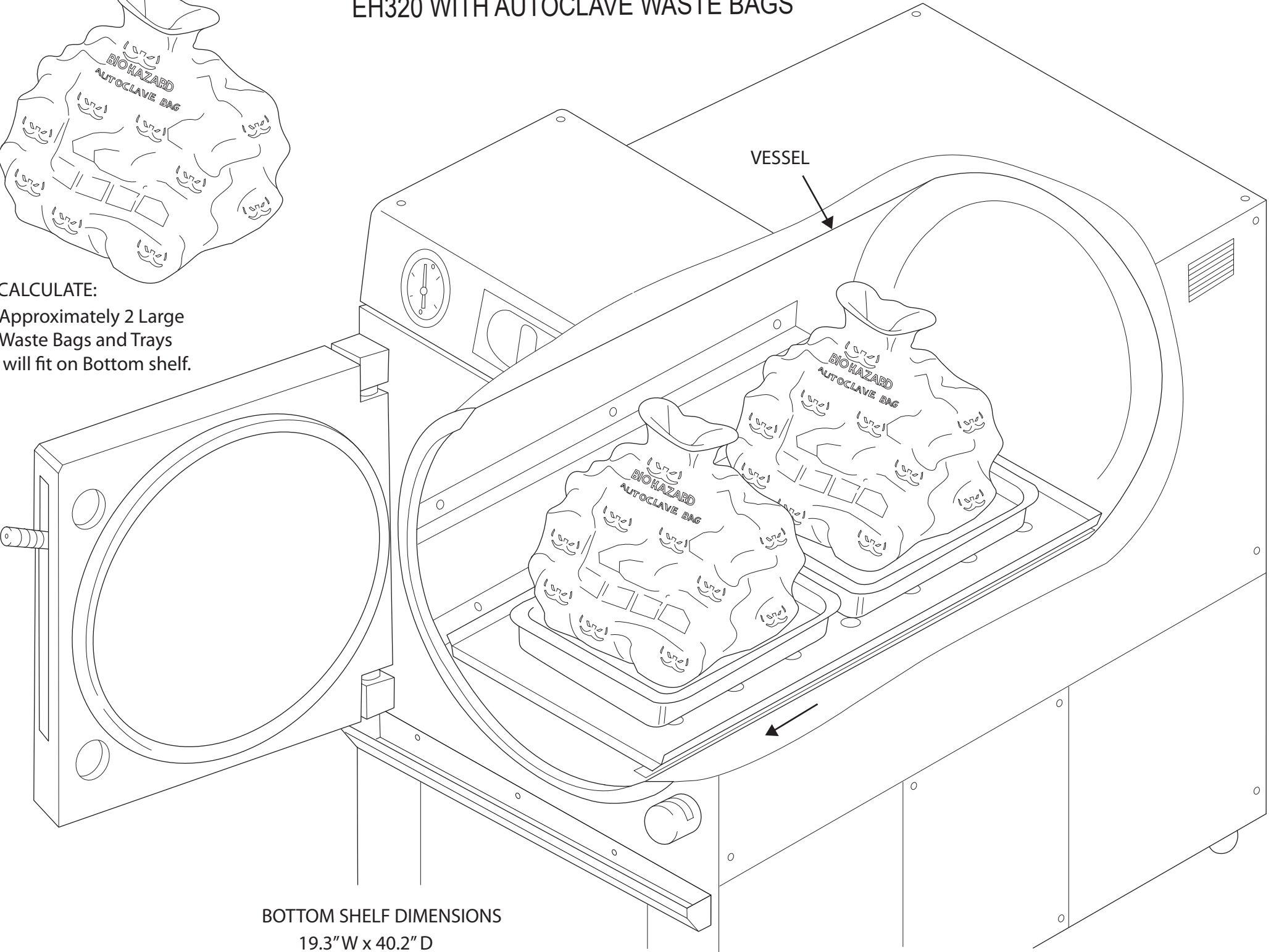
BOTTOM SHELF DIMENSIONS
19.3"W x 40.2" D



EH320 WITH AUTOCLAVE WASTE BAGS

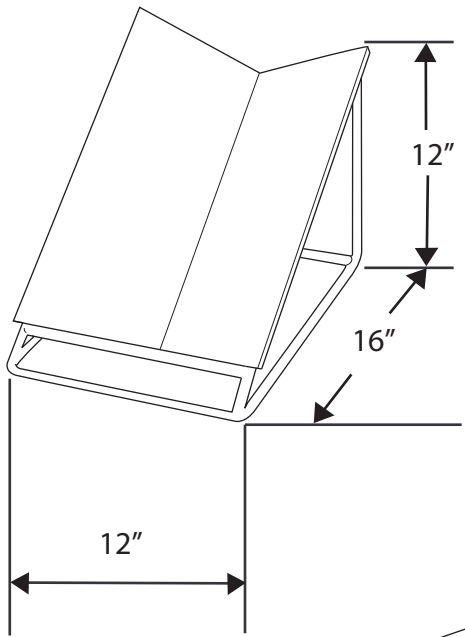


CALCULATE:
Approximately 2 Large
Waste Bags and Trays
will fit on Bottom shelf.

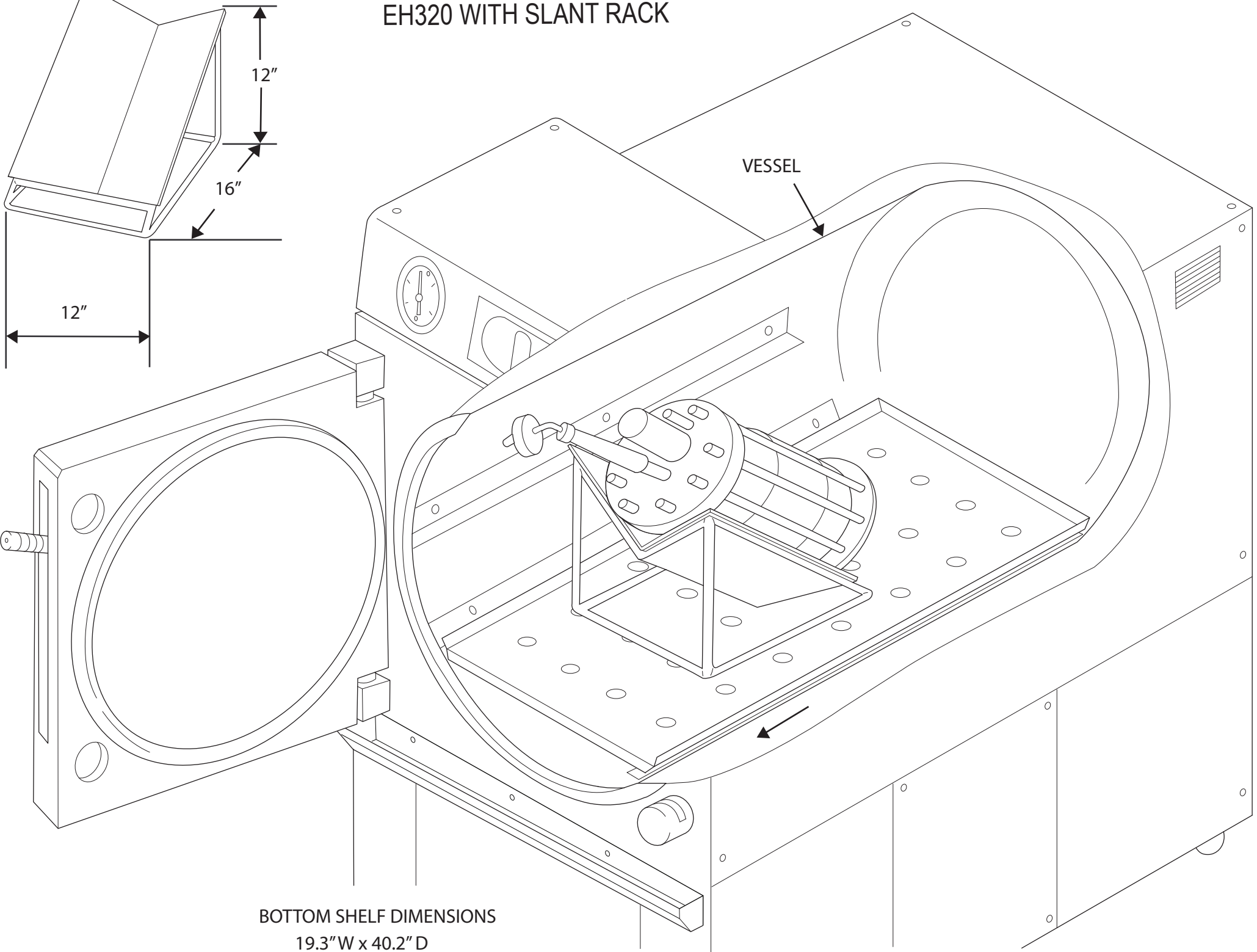


BOTTOM SHELF DIMENSIONS
19.3" W x 40.2" D

EH320 WITH SLANT RACK



VESSEL



BOTTOM SHELF DIMENSIONS
19.3"W x 40.2" D

EH320 WITH TEST TUBE RACKS

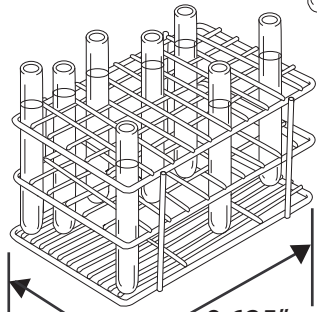
Tube size 18 - 20mm



CALCULATE:

Approximately 24 Test
Tube Racks will fit on
both Top and Bottom
shelves.

Typical Rack Size
Holds 60 Tubes



3.25"
82.6 mm

6.125"
155.6 mm

9.625"
244.5 mm

VESSEL

TOP SHELF DIMENSIONS
24.4" W x 40.2" D
WITH 12.3" CLEARANCE

BOTTOM SHELF DIMENSIONS
19.3" W x 40.2" D

