

Priorclave

Double Door Priorclave Installation Method

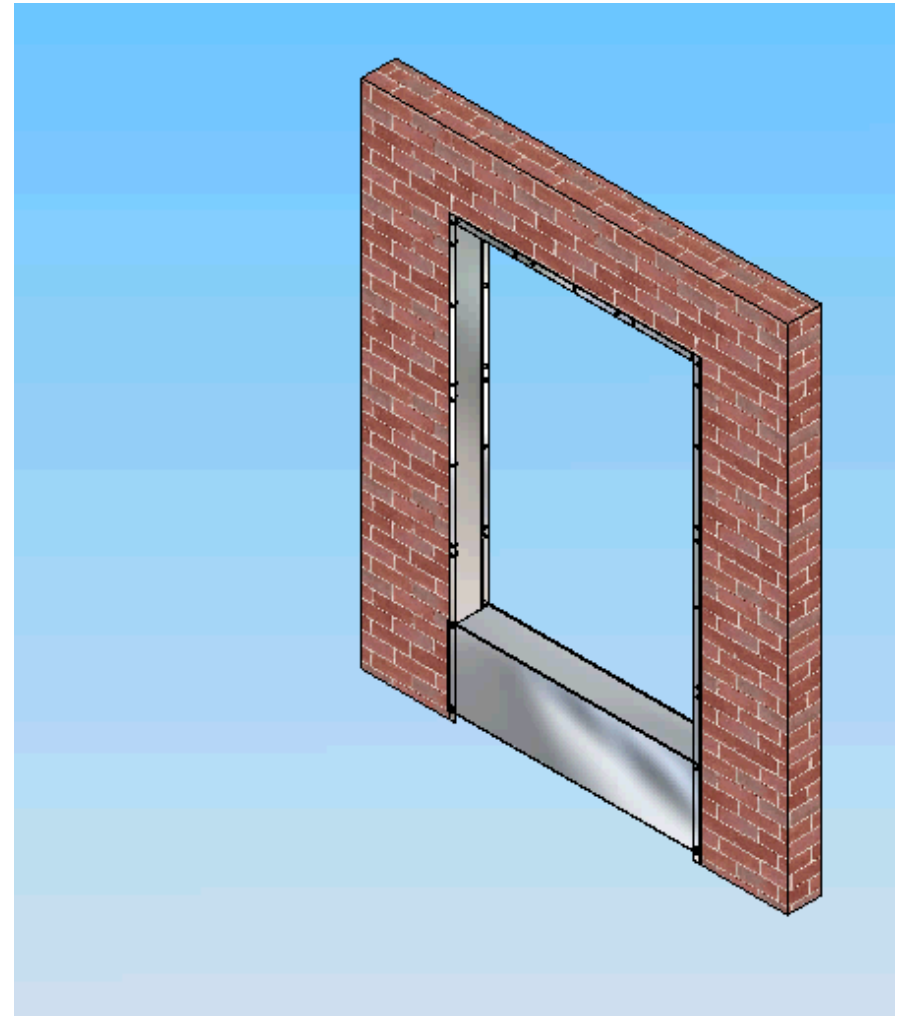


Wall Frame Installation

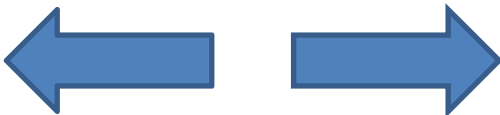
The lower stiffener panels must be attached before the frame-work is installed into the wall to ensure that the holes align correctly.

1. Insert the frame-work into the wall, from the sealed room end, ensuring that the short end of the side with the most holes* is in the sealed room. Position the frame-work so that it is flush with wall on the sealed room side.
2. Use silicon sealant on both sides of the frame-work and the wall to ensure an airtight seal. Leave the sealant overnight to fully set and reach full strength.

** If there is the same amount of holes on both sides, then it may be installed either way round.*

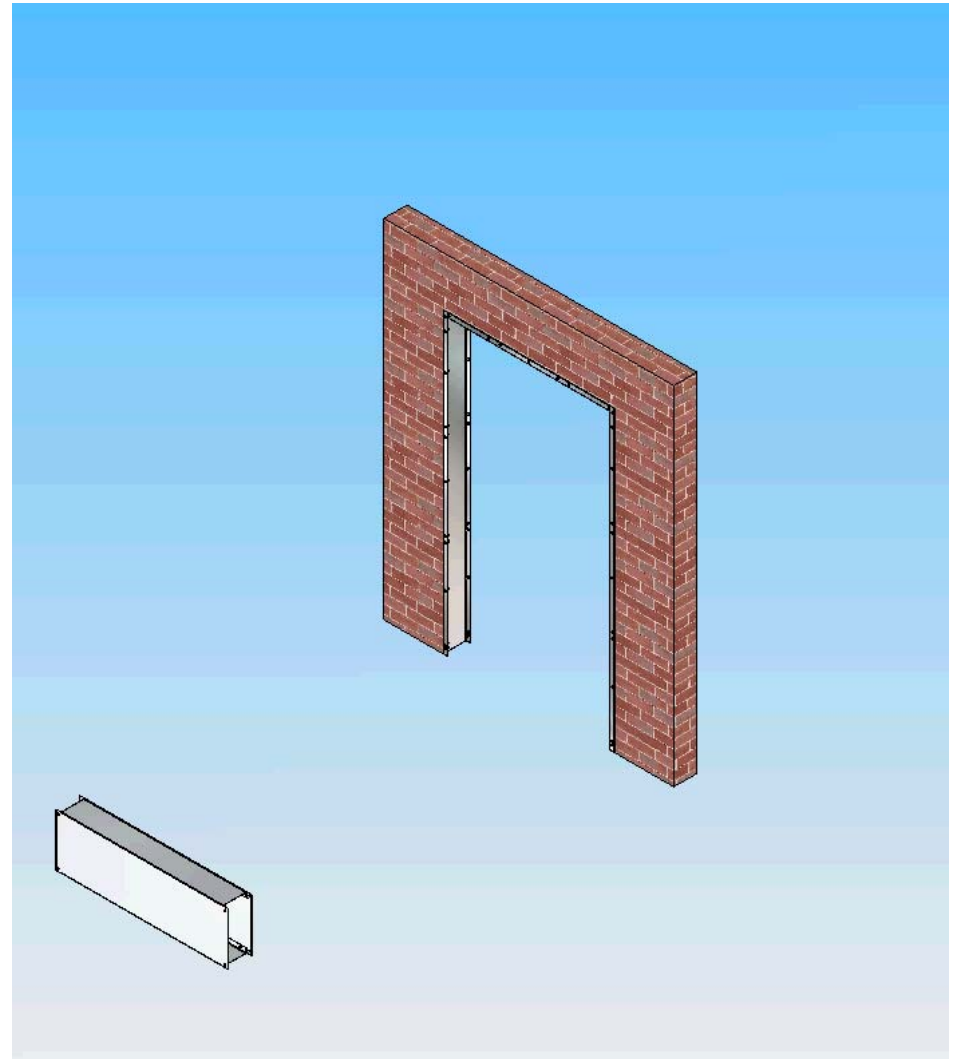


Please Click on Image to Repeat

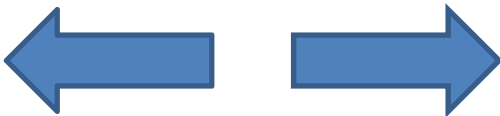


Wall Frame Installation

3. After first ensuring that the silicon sealant has set, remove the lower Stiffener panels and discard them.

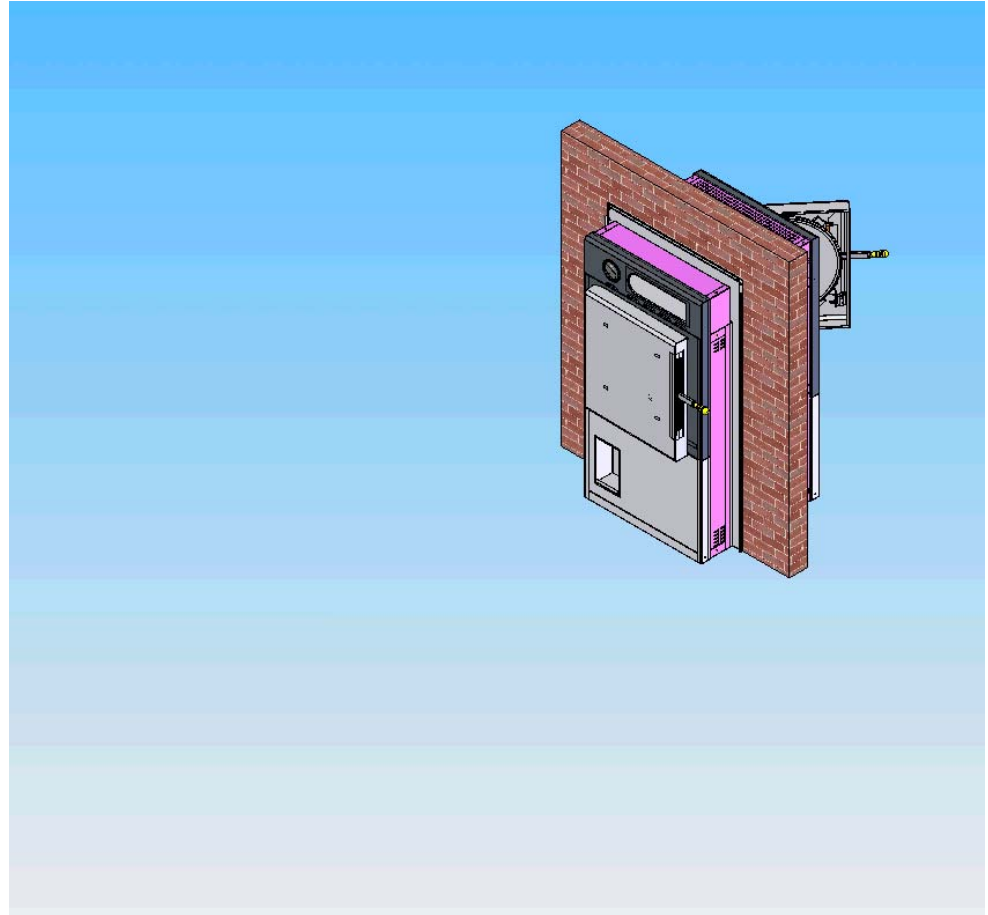


Please Click on Image to Repeat

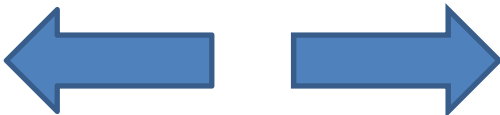


Fitting the Autoclave

1. Open the pressure door on the “**long end**”. - *This may require a temporary electrical supply to the autoclave.*
2. Run a bead of silicon sealant on the face of the frame-work and into the thread inserts on the sealed room side.
3. **Immediately** insert the autoclave into the frame-work, through the frame-work, from the sealed room side. Use the screws supplied to fix the autoclave to the frame-work.

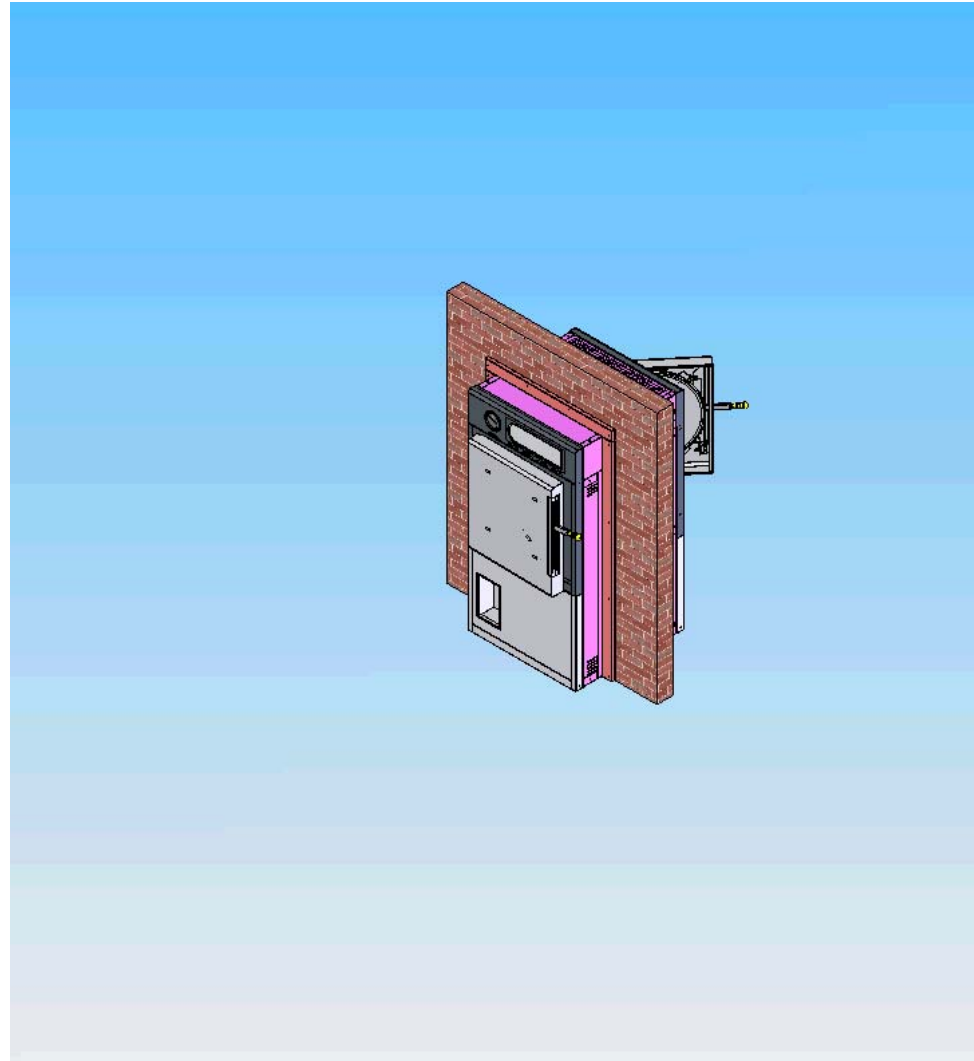


Please Click on Image to Repeat

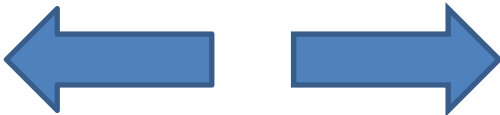


Final Stages

1. Fit the “**short end**” trim panels using the screws supplied.



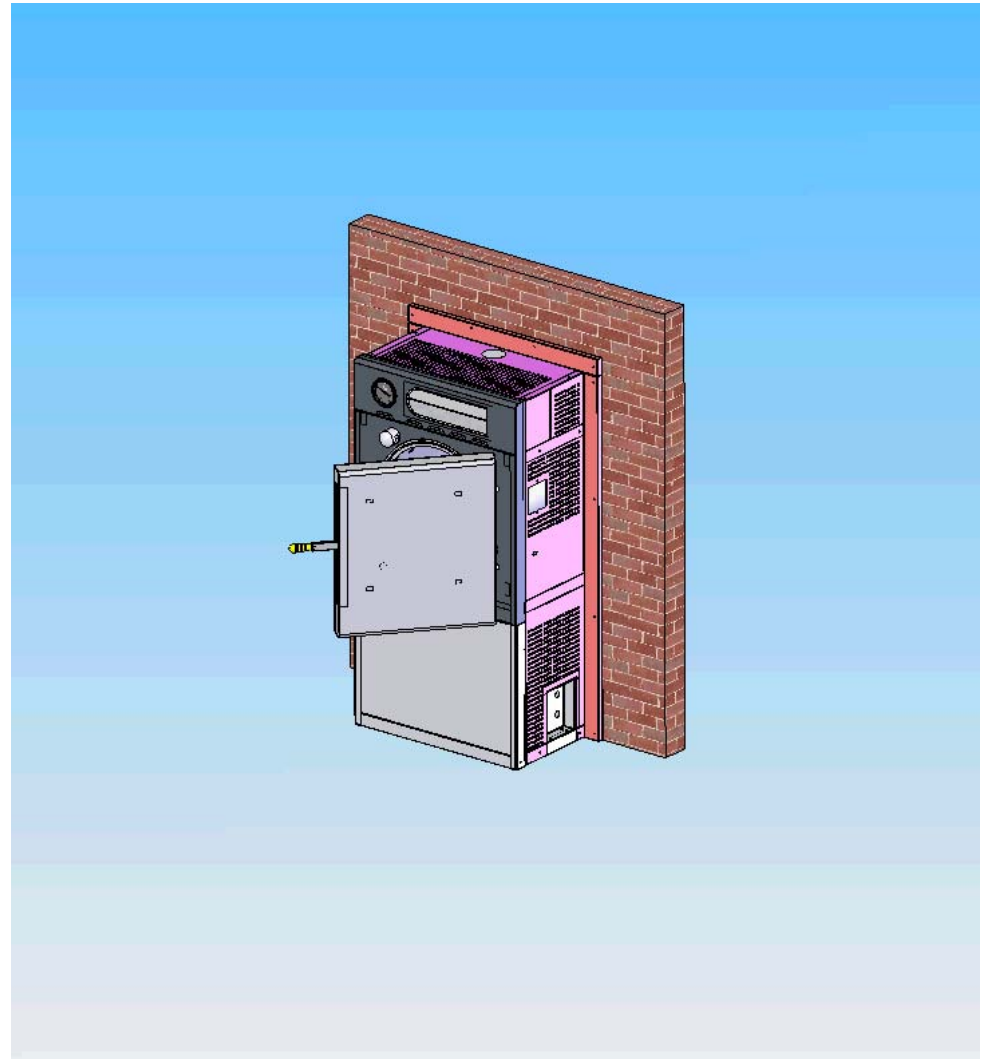
Please Click on Image to Repeat



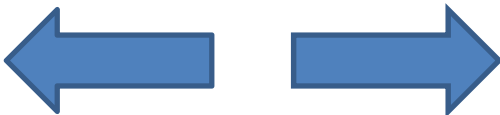
Final Stages

2. Fit the “**long end**” trim panels to the wall or wall panel using the required screws.

A smoke test may be required to assess the seal between through the wall.



Please Click on Image to Repeat



End of Presentation



Repeat from the Beginning



Exit

