

Priorclave Routine Maintenance:

Low Water Probe and Vessel Cleanliness

Maintenance Frequency

The frequency of Routine Preventive Maintenance of Priorclave Autoclaves may vary depending on the level of use. Autoclave used relatively frequently, or those customers reliant on the long-term reliability of the Autoclave may require maintenance much more regularly than a user only operating their Autoclave once per week.

The following table is for use as a guide to maintenance frequency only:

| Estimates number of cycles: | Recommended maintenance frequency: |
|-----------------------------|------------------------------------|
| 1 cycle / day | 1 service per year |
| 2 cycles / day | 2 services per year |
| 4 cycles / day | 4 services per year |

Maintenance Scope

Before proceeding please check the specification of the Autoclave Technical Manual to establish which options and accessories, if any, are fitted to your Priorclave. This will determine which sections of the Maintenance Manual you will need to follow to successfully complete the Routine Maintenance.

| | Daily | Weekly | Monthly | Bi-Annually |
|---------------------------------|-------|--------|---------|-------------|
| Inside the Vessel | | | | |
| Water Level | ● | ● | ● | ● |
| Water Condition | ● | ● | ● | ● |
| Vessel Cleanliness | | ● | ● | ● |
| Water Level Probe condition | | ● | ● | ● |
| Control Probe condition | | ● | ● | ● |
| Wandering Probe condition | | ● | ● | ● |
| Outside of the Autoclave | | | | |
| Panel cleanliness | | ● | ● | ● |



| | | | |
|-------------------------------|---|---|---|
| Damage | ● | ● | ● |
| Door Gasket | ● | ● | ● |
| Door Closure Arms | ● | ● | ● |
| Indicator Lamp Check | ● | ● | ● |
| Safety Valve | ● | ● | ● |
| Drainage | ● | ● | ● |
| General Cleaning | | ● | ● |
| General Operation | | ● | ● |
| Automatic Water Fill (Option) | | ● | ● |
| Hinges | | ● | ● |
| Micro-switches | | ● | ● |
| Temperature / Pressure check | | ● | ● |



Low Water probe Maintenance



Before carrying out any maintenance work check the autoclave for any visual signs of materials which may be contaminated or damaged. Should any such matter be apparent contact the relevant person of authority before proceeding

Do not carry out any work unless you are competent to do so. Items in this section marked with * are those which require a level of competence as incorrect maintenance or fitting could lead to a safety hazard.

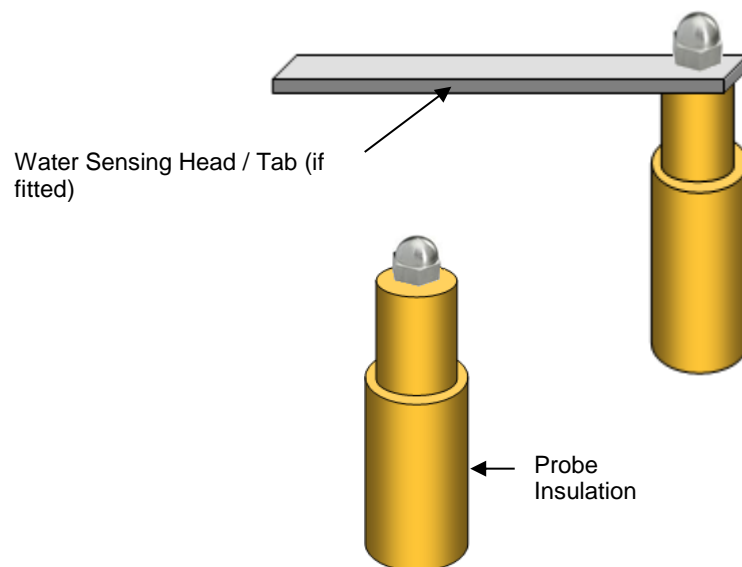
Ensure that any electrically locked doors or canopies are open before disconnecting power.



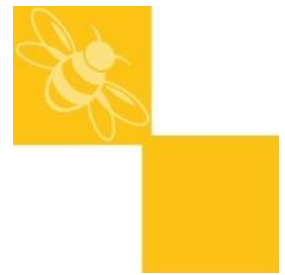
DISCONNECT or **ISOLATE** the machine from mains power supply before removing any panels or commencing any maintenance work.

IN THE EVENT OF ANY DIFFICULTY or doubt about any maintenance or service procedure contact Priorclave Limited or your nearest Priorclave approved agent or supplier immediately.

LOW and FILL Level Water Level Probes (if fitted) →

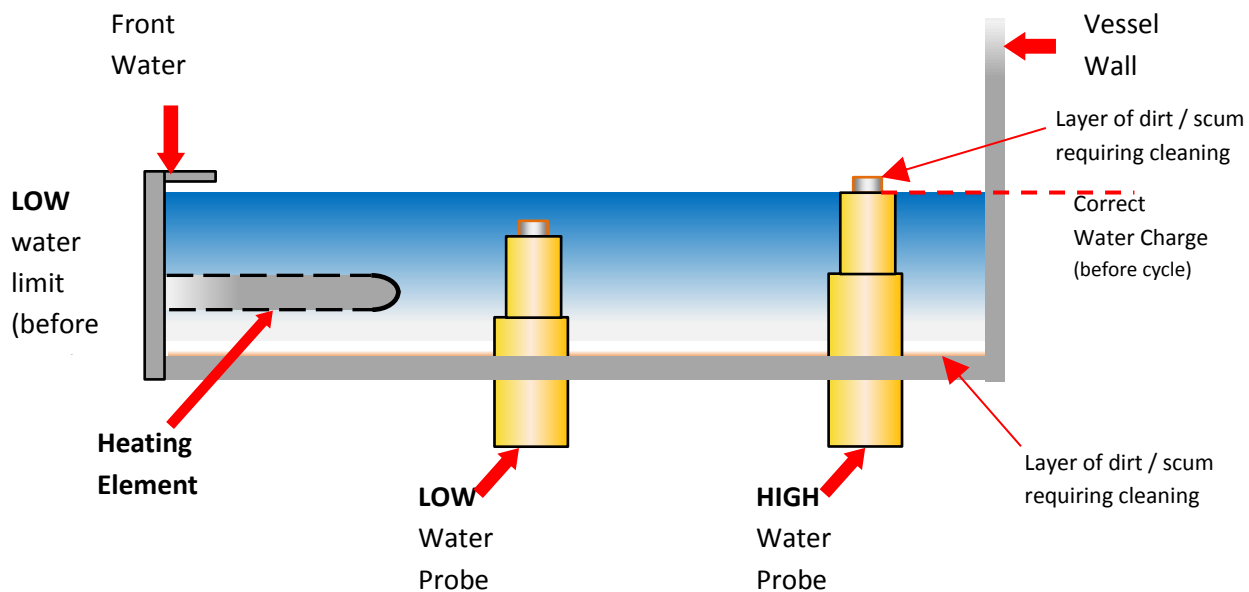


To ensure protection from boiling dry, the insulated section of the low water probe together with the stainless steel tip and the pressure vessel surface should be scrubbed clean to prevent it from being short circuited (see diagram). The sensor tip should also be kept clean to ensure good contact – refer to the diagram below.



Example of a Low Water probe configuration

Note: This configuration may vary depending on the Autoclave model and options fitted.



Water Level

The standing water within the vessel should be regularly removed, ideally with a wet/dry type vacuum cleaner to prevent the build-up of *spilled media* and *potentially corrosive chemicals*. With the vessel emptied of water, the heating element(s) should be wiped with a damp cloth to remove any build-up of Limescale.

If destruct type loads are regularly being processed consideration should be given to the use of suitable containers for such loads to minimise spillage. A range of such containers suitable for individual Priorclave models is available from Priorclave.

Autoclave Cleanliness

Check exterior of machine and the inside walls of the pressure vessel for general cleanliness, particularly around Low Water Probes and Heating Elements. Use anti-bacterial wipes or a lightly abrasive cloth.

Under no circumstances should an abrasive or chemically aggressive cleaner be used on the pressure vessel. The use of chlorine or hydroxide based cleaners is not recommended (see notices at the beginning of this manual).